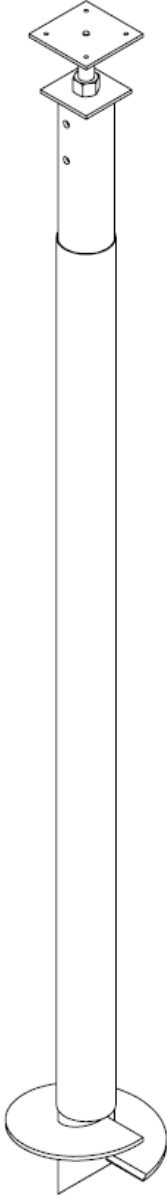
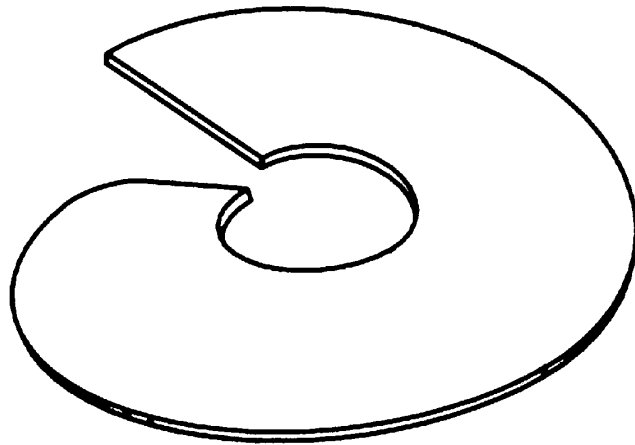




# Parts Manual



# HELIX

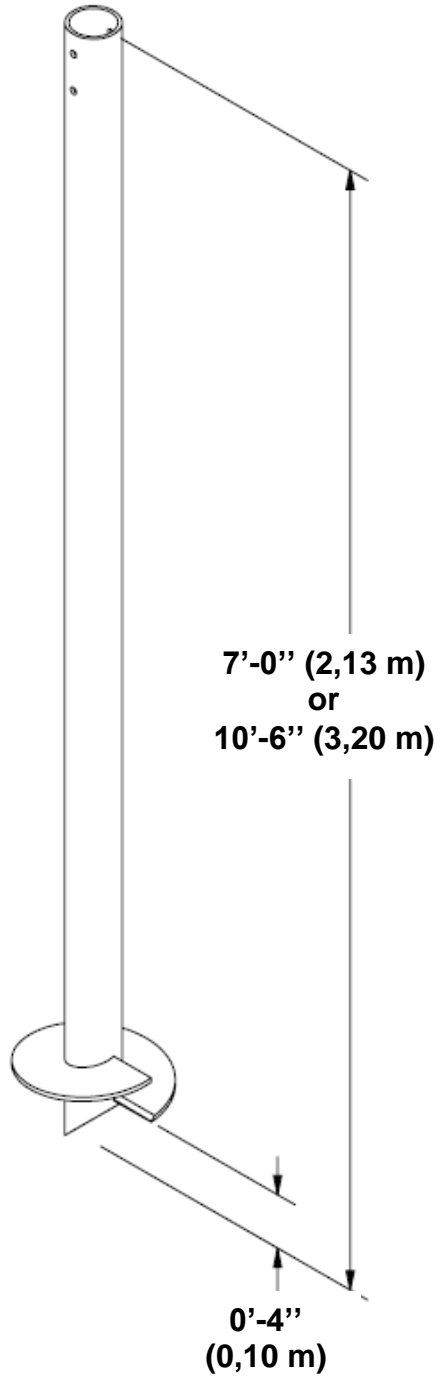




<b>Helix</b>				
<b>Part no.</b>	<b>Steel</b>	<b>Outside Diameter</b>	<b>Thickness</b>	<b>Qty</b>
<b>Shaft 1 7/8" (48 mm) Ø OD</b>				
H1-6N or G	Black / Galv.	6" (152 mm)	0.375" (9,5 mm)	
H1-8N or G	Black / Galv.	8" (203 mm)	0.375" (9,5 mm)	
H1-10N or G	Black / Galv.	10" (254 mm)	0.375" (9,5 mm)	
H1-12N or G	Black / Galv.	12" (305 mm)	0.375" (9,5 mm)	
H1-16N or G	Black / Galv.	16" (406 mm)	0.375" (9,5 mm)	
<b>Shaft 2 3/8" (60 mm) Ø OD</b>				
H2-6N or G	Black / Galv.	6" (152 mm)	0.375" (9,5 mm)	
H2-8N or G	Black / Galv.	8" (203 mm)	0.375" (9,5 mm)	
H2-10N or G	Black / Galv.	10" (254 mm)	0.375" (9,5 mm)	
H2-12N or G	Black / Galv.	12" (305 mm)	0.375" (9,5 mm)	
H2-14N or G	Black / Galv.	14" (356 mm)	0.375" (9,5 mm)	
H2-16N or G	Black / Galv.	16" (406 mm)	0.375" (9,5 mm)	
H2-18N or G	Black / Galv.	18" (457 mm)	0.375" (9,5 mm)	
H2-24N or G	Black / Galv.	24" (610 mm)	0.375" (9,5 mm)	
<b>Shaft 3 1/2" (89 mm) Ø OD</b>				
H3-8N or G	Black / Galv.	8" (203 mm)	0.500" (12,7 mm)	
H3-10N or G	Black / Galv.	10" (254 mm)	0.500" (12,7 mm)	
H3-12N or G	Black / Galv.	12" (305 mm)	0.500" (12,7 mm)	
H3-16N or G	Black / Galv.	16" (406 mm)	0.500" (12,7 mm)	
H3-18N or G	Black / Galv.	18" (457 mm)	0.500" (12,7 mm)	
H3-20N or G	Black / Galv.	20" (508 mm)	0.500" (12,7 mm)	
H3-24N or G	Black / Galv.	24" (610 mm)	0.500" (12,7 mm)	
<b>Shaft 4" (101,6 mm) Ø OD</b>				
H4-8N or G	Black / Galv.	8" (203 mm)	0.500" (12,7 mm)	
H4-10N or G	Black / Galv.	10" (254 mm)	0.500" (12,7 mm)	
H4-12N or G	Black / Galv.	12" (305 mm)	0.500" (12,7 mm)	
H4-16N or G	Black / Galv.	16" (406 mm)	0.500" (12,7 mm)	
H4-18N or G	Black / Galv.	18" (457 mm)	0.500" (12,7 mm)	
H4-20N or G	Black / Galv.	20" (508 mm)	0.500" (12,7 mm)	
H4-24N or G	Black / Galv.	24" (610 mm)	0.500" (12,7 mm)	
<b>Shaft 5 9/16" (141,3 mm) Ø OD</b>				
H5-12N or G	Black / Galv.	12" (305 mm)	0.500" (12,7 mm)	
H5-16N or G	Black / Galv.	16" (406 mm)	0.500" (12,7 mm)	
H5-18N or G	Black / Galv.	18" (457 mm)	0.500" (12,7 mm)	
H5-20N or G	Black / Galv.	20" (508 mm)	0.500" (12,7 mm)	
H5-24N or G	Black / Galv.	24" (610 mm)	0.500" (12,7 mm)	
<b>Shaft 6 5/8" (168 mm) Ø OD</b>				
H6-12N or G	Black / Galv.	12" (305 mm)	0.500" (12,7 mm)	
H6-16N or G	Black / Galv.	16" (406 mm)	0.500" (12,7 mm)	
H6-18N or G	Black / Galv.	18" (457 mm)	0.500" (12,7 mm)	
H6-20N or G	Black / Galv.	20" (508 mm)	0.500" (12,7 mm)	
H6-24N or G	Black / Galv.	24" (610 mm)	0.500" (12,7 mm)	

G or galv. = Hot Dipped Galvanized  
 N = Black

## Single helix system





# TECHNO METAL POST SINGLE HELIX SYSTEM

## BLACK STEEL

Part no.	Steel	Shaft dimension OD	Helix diam.	Shaft Length	Qty.
P1-6N	Black	1 7/8" (48 mm) Ø OD x 0.145" (3,7 mm)	6" (152 mm)	7' - 0" (2,13 m) or 10' - 6" (3,20 m)	
P1-8N	Black	1 7/8" (48 mm) Ø OD x 0.145" (3,7 mm)	8" (203 mm)	7' - 0" (2,13 m) or 10' - 6" (3,20 m)	
P1-10N	Black	1 7/8" (48 mm) Ø OD x 0.145" (3,7 mm)	10" (254 mm)	7' - 0" (2,13 m) or 10' - 6" (3,20 m)	
P1-12N	Black	1 7/8" (48 mm) Ø OD x 0.145" (3,7 mm)	12" (305 mm)	7' - 0" (2,13 m) or 10' - 6" (3,20 m)	
P1-16N	Black	1 7/8" (48 mm) Ø OD x 0.145" (3,7 mm)	16" (406 mm)	7' - 0" (2,13 m) or 10' - 6" (3,20 m)	
P2-6N	Black	2 3/8" (60 mm) Ø OD x 0.154" (3,9 mm)	6" (152 mm)	7' - 0" (2,13 m) or 10' - 6" (3,20 m)	
P2-8N	Black	2 3/8" (60 mm) Ø OD x 0.154" (3,9 mm)	8" (203 mm)	7' - 0" (2,13 m) or 10' - 6" (3,20 m)	
P2-10N	Black	2 3/8" (60 mm) Ø OD x 0.154" (3,9 mm)	10" (254 mm)	7' - 0" (2,13 m) or 10' - 6" (3,20 m)	
P2-12N	Black	2 3/8" (60 mm) Ø OD x 0.154" (3,9 mm)	12" (305 mm)	7' - 0" (2,13 m) or 10' - 6" (3,20 m)	
P2-14N	Black	2 3/8" (60 mm) Ø OD x 0.154" (3,9 mm)	14" (356 mm)	7' - 0" (2,13 m) or 10' - 6" (3,20 m)	
P2-16N	Black	2 3/8" (60 mm) Ø OD x 0.154" (3,9 mm)	16" (406 mm)	7' - 0" (2,13 m) or 10' - 6" (3,20 m)	
P2-18N	Black	2 3/8" (60 mm) Ø OD x 0.154" (3,9 mm)	18" (457 mm)	7' - 0" (2,13 m) or 10' - 6" (3,20 m)	
P2-24N	Black	2 3/8" (60 mm) Ø OD x 0.154" (3,9 mm)	24" (610 mm)	7' - 0" (2,13 m) or 10' - 6" (3,20 m)	
P3-8N	Black	3 1/2" (89 mm) Ø OD x 0.216" (5,5 mm)	8" (203 mm)	7' - 0" (2,13 m) or 10' - 6" (3,20 m)	
P3-10N	Black	3 1/2" (89 mm) Ø OD x 0.216" (5,5 mm)	10" (254 mm)	7' - 0" (2,13 m) or 10' - 6" (3,20 m)	
P3-12N	Black	3 1/2" (89 mm) Ø OD x 0.216" (5,5 mm)	12" (305 mm)	7' - 0" (2,13 m) or 10' - 6" (3,20 m)	
P3-16N	Black	3 1/2" (89 mm) Ø OD x 0.216" (5,5 mm)	16" (406 mm)	7' - 0" (2,13 m) or 10' - 6" (3,20 m)	
P3-18N	Black	3 1/2" (89 mm) Ø OD x 0.216" (5,5 mm)	18" (457 mm)	7' - 0" (2,13 m) or 10' - 6" (3,20 m)	
P3-20N	Black	3 1/2" (89 mm) Ø OD x 0.216" (5,5 mm)	20" (508 mm)	7' - 0" (2,13 m) or 10' - 6" (3,20 m)	
P3-24N	Black	3 1/2" (89 mm) Ø OD x 0.216" (5,5 mm)	24" (610 mm)	7' - 0" (2,13 m) or 10' - 6" (3,20 m)	
P3-8N-HD	Black	3 1/2" (89 mm) Ø OD x 0.300" (7,62 mm)	8" (203 mm)	7' - 0" (2,13 m) or 10' - 6" (3,20 m)	
P3-10N-HD	Black	3 1/2" (89 mm) Ø OD x 0.300" (7,62 mm)	10" (254 mm)	7' - 0" (2,13 m) or 10' - 6" (3,20 m)	
P3-12N-HD	Black	3 1/2" (89 mm) Ø OD x 0.300" (7,62 mm)	12" (305 mm)	7' - 0" (2,13 m) or 10' - 6" (3,20 m)	
P3-16N-HD	Black	3 1/2" (89 mm) Ø OD x 0.300" (7,62 mm)	16" (406 mm)	7' - 0" (2,13 m) or 10' - 6" (3,20 m)	
P3-18N-HD	Black	3 1/2" (89 mm) Ø OD x 0.300" (7,62 mm)	18" (457 mm)	7' - 0" (2,13 m) or 10' - 6" (3,20 m)	
P3-20N-HD	Black	3 1/2" (89 mm) Ø OD x 0.300" (7,62 mm)	20" (508 mm)	7' - 0" (2,13 m) or 10' - 6" (3,20 m)	
P3-24N-HD	Black	3 1/2" (89 mm) Ø OD x 0.300" (7,62 mm)	24" (610 mm)	7' - 0" (2,13 m) or 10' - 6" (3,20 m)	
P4-8N	Black	4" (102 mm) Ø OD x 0.226" (5,7 mm)	8" (203 mm)	7' - 0" (2,13 m) or 10' - 6" (3,20 m)	
P4-10N	Black	4" (102 mm) Ø OD x 0.226" (5,7 mm)	10" (254 mm)	7' - 0" (2,13 m) or 10' - 6" (3,20 m)	
P4-12N	Black	4" (102 mm) Ø OD x 0.226" (5,7 mm)	12" (305 mm)	7' - 0" (2,13 m) or 10' - 6" (3,20 m)	
P4-16N	Black	4" (102 mm) Ø OD x 0.226" (5,7 mm)	16" (406 mm)	7' - 0" (2,13 m) or 10' - 6" (3,20 m)	
P4-18N	Black	4" (102 mm) Ø OD x 0.226" (5,7 mm)	18" (457 mm)	7' - 0" (2,13 m) or 10' - 6" (3,20 m)	
P4-20N	Black	4" (102 mm) Ø OD x 0.226" (5,7 mm)	20" (508 mm)	7' - 0" (2,13 m) or 10' - 6" (3,20 m)	
P4-24N	Black	4" (102 mm) Ø OD x 0.226" (5,7 mm)	24" (610 mm)	7' - 0" (2,13 m) or 10' - 6" (3,20 m)	

N = Black

HD = Heavy Duty

NOTE = Other types of assembly available



## TECHNO METAL POST SINGLE HELIX SYSTEM

### BLACK STEEL

Part no.	Steel	Shaft dimension OD	Helix diam.	Shaft Length	Qty.
P4-8N-HD	Black	4" (102 mm) Ø OD x 0.313" (7,95 mm)	8" (203 mm)	7' – 0" (2,13 m) or 10' – 6" (3,20 m)	
P4-10N-HD	Black	4" (102 mm) Ø OD x 0.313" (7,95 mm)	10" (254 mm)	7' – 0" (2,13 m) or 10' – 6" (3,20 m)	
P4-12N-HD	Black	4" (102 mm) Ø OD x 0.313" (7,95 mm)	12" (305 mm)	7' – 0" (2,13 m) or 10' – 6" (3,20 m)	
P4-16N-HD	Black	4" (102 mm) Ø OD x 0.313" (7,95 mm)	16" (406 mm)	7' – 0" (2,13 m) or 10' – 6" (3,20 m)	
P4-18N-HD	Black	4" (102 mm) Ø OD x 0.313" (7,95 mm)	18" (457 mm)	7' – 0" (2,13 m) or 10' – 6" (3,20 m)	
P4-20N-HD	Black	4" (102 mm) Ø OD x 0.313" (7,95 mm)	20" (508 mm)	7' – 0" (2,13 m) or 10' – 6" (3,20 m)	
P4-24N-HD	Black	4" (102 mm) Ø OD x 0.313" (7,95 mm)	24" (610 mm)	7' – 0" (2,13 m) or 10' – 6" (3,20 m)	
P5-12N	Black	5 9/16" (141,3 mm) Ø OD x 0.258" (6,6 mm)	12" (305 mm)	7' – 0" (2,13 m) or 10' – 6" (3,20 m)	
P5-16N	Black	5 9/16" (141,3 mm) Ø OD x 0.258" (6,6 mm)	16" (406 mm)	7' – 0" (2,13 m) or 10' – 6" (3,20 m)	
P5-18N	Black	5 9/16" (141,3 mm) Ø OD x 0.258" (6,6 mm)	18" (457 mm)	7' – 0" (2,13 m) or 10' – 6" (3,20 m)	
P5-20N	Black	5 9/16" (141,3 mm) Ø OD x 0.258" (6,6 mm)	20" (508 mm)	7' – 0" (2,13 m) or 10' – 6" (3,20 m)	
P5-24N	Black	5 9/16" (141,3 mm) Ø OD x 0.258" (6,6 mm)	24" (610 mm)	7' – 0" (2,13 m) or 10' – 6" (3,20 m)	
P6-12N	Black	6 5/8" (168 mm) Ø OD x 0.280" (7,1 mm)	12" (305 mm)	7' – 0" (2,13 m) or 10' – 6" (3,20 m)	
P6-16N	Black	6 5/8" (168 mm) Ø OD x 0.280" (7,1 mm)	16" (406 mm)	7' – 0" (2,13 m) or 10' – 6" (3,20 m)	
P6-18N	Black	6 5/8" (168 mm) Ø OD x 0.280" (7,1 mm)	18" (457 mm)	7' – 0" (2,13 m) or 10' – 6" (3,20 m)	
P6-20N	Black	6 5/8" (168 mm) Ø OD x 0.280" (7,1 mm)	20" (508 mm)	7' – 0" (2,13 m) or 10' – 6" (3,20 m)	
P6-24N	Black	6 5/8" (168 mm) Ø OD x 0.280" (7,1 mm)	24" (610 mm)	7' – 0" (2,13 m) or 10' – 6" (3,20 m)	

N = Black  
 HD = Heavy Duty

NOTE = Other types of assembly available



## TECHNO METAL POST SINGLE HELIX SYSTEM

### GALVANIZED

Part no.	Steel	Shaft dimension OD	Helix diam.	Shaft Length	Qty.
P1-6G	Galv.	1 7/8" (48 mm) Ø OD x 0.145" (3,7 mm)	6" (152 mm)	7' - 0" (2,13 m) or 10' - 6" (3,20 m)	
P1-8G	Galv.	1 7/8" (48 mm) Ø OD x 0.145" (3,7 mm)	8" (203 mm)	7' - 0" (2,13 m) or 10' - 6" (3,20 m)	
P1-10G	Galv.	1 7/8" (48 mm) Ø OD x 0.145" (3,7 mm)	10" (254 mm)	7' - 0" (2,13 m) or 10' - 6" (3,20 m)	
P1-12G	Galv.	1 7/8" (48 mm) Ø OD x 0.145" (3,7 mm)	12" (305 mm)	7' - 0" (2,13 m) or 10' - 6" (3,20 m)	
P1-16G	Galv.	1 7/8" (48 mm) Ø OD x 0.145" (3,7 mm)	16" (406 mm)	7' - 0" (2,13 m) or 10' - 6" (3,20 m)	
P2-6G	Galv.	2 3/8" (60 mm) Ø OD x 0.154" (3,9 mm)	6" (152 mm)	7' - 0" (2,13 m) or 10' - 6" (3,20 m)	
P2-8G	Galv.	2 3/8" (60 mm) Ø OD x 0.154" (3,9 mm)	8" (203 mm)	7' - 0" (2,13 m) or 10' - 6" (3,20 m)	
P2-10G	Galv.	2 3/8" (60 mm) Ø OD x 0.154" (3,9 mm)	10" (254 mm)	7' - 0" (2,13 m) or 10' - 6" (3,20 m)	
P2-12G	Galv.	2 3/8" (60 mm) Ø OD x 0.154" (3,9 mm)	12" (305 mm)	7' - 0" (2,13 m) or 10' - 6" (3,20 m)	
P2-14G	Galv.	2 3/8" (60 mm) Ø OD x 0.154" (3,9 mm)	14" (356 mm)	7' - 0" (2,13 m) or 10' - 6" (3,20 m)	
P2-16G	Galv.	2 3/8" (60 mm) Ø OD x 0.154" (3,9 mm)	16" (406 mm)	7' - 0" (2,13 m) or 10' - 6" (3,20 m)	
P2-18G	Galv.	2 3/8" (60 mm) Ø OD x 0.154" (3,9 mm)	18" (457 mm)	7' - 0" (2,13 m) or 10' - 6" (3,20 m)	
P2-24G	Galv.	2 3/8" (60 mm) Ø OD x 0.154" (3,9 mm)	24" (610 mm)	7' - 0" (2,13 m) or 10' - 6" (3,20 m)	
P3-8G	Galv.	3 1/2" (89 mm) Ø OD x 0.216" (5,5 mm)	8" (203 mm)	7' - 0" (2,13 m) or 10' - 6" (3,20 m)	
P3-10G	Galv.	3 1/2" (89 mm) Ø OD x 0.216" (5,5 mm)	10" (254 mm)	7' - 0" (2,13 m) or 10' - 6" (3,20 m)	
P3-12G	Galv.	3 1/2" (89 mm) Ø OD x 0.216" (5,5 mm)	12" (305 mm)	7' - 0" (2,13 m) or 10' - 6" (3,20 m)	
P3-16G	Galv.	3 1/2" (89 mm) Ø OD x 0.216" (5,5 mm)	16" (406 mm)	7' - 0" (2,13 m) or 10' - 6" (3,20 m)	
P3-18G	Galv.	3 1/2" (89 mm) Ø OD x 0.216" (5,5 mm)	18" (457 mm)	7' - 0" (2,13 m) or 10' - 6" (3,20 m)	
P3-20G	Galv.	3 1/2" (89 mm) Ø OD x 0.216" (5,5 mm)	20" (508 mm)	7' - 0" (2,13 m) or 10' - 6" (3,20 m)	
P3-24G	Galv.	3 1/2" (89 mm) Ø OD x 0.216" (5,5 mm)	24" (610 mm)	7' - 0" (2,13 m) or 10' - 6" (3,20 m)	
P3-8G-HD	Galv.	3 1/2" (89 mm) Ø OD x 0.300" (7,62 mm)	8" (203 mm)	7' - 0" (2,13 m) or 10' - 6" (3,20 m)	
P3-10G-HD	Galv.	3 1/2" (89 mm) Ø OD x 0.300" (7,62 mm)	10" (254 mm)	7' - 0" (2,13 m) or 10' - 6" (3,20 m)	
P3-12G-HD	Galv.	3 1/2" (89 mm) Ø OD x 0.300" (7,62 mm)	12" (305 mm)	7' - 0" (2,13 m) or 10' - 6" (3,20 m)	
P3-16G-HD	Galv.	3 1/2" (89 mm) Ø OD x 0.300" (7,62 mm)	16" (406 mm)	7' - 0" (2,13 m) or 10' - 6" (3,20 m)	
P3-18G-HD	Galv.	3 1/2" (89 mm) Ø OD x 0.300" (7,62 mm)	18" (457 mm)	7' - 0" (2,13 m) or 10' - 6" (3,20 m)	
P3-20G-HD	Galv.	3 1/2" (89 mm) Ø OD x 0.300" (7,62 mm)	20" (508 mm)	7' - 0" (2,13 m) or 10' - 6" (3,20 m)	
P3-24G-HD	Galv.	3 1/2" (89 mm) Ø OD x 0.300" (7,62 mm)	24" (610 mm)	7' - 0" (2,13 m) or 10' - 6" (3,20 m)	
P4-8G	Galv.	4" (102 mm) Ø OD x 0.226" (5,7 mm)	8" (203 mm)	7' - 0" (2,13 m) or 10' - 6" (3,20 m)	
P4-10G	Galv.	4" (102 mm) Ø OD x 0.226" (5,7 mm)	10" (254 mm)	7' - 0" (2,13 m) or 10' - 6" (3,20 m)	
P4-12G	Galv.	4" (102 mm) Ø OD x 0.226" (5,7 mm)	12" (305 mm)	7' - 0" (2,13 m) or 10' - 6" (3,20 m)	
P4-16G	Galv.	4" (102 mm) Ø OD x 0.226" (5,7 mm)	16" (406 mm)	7' - 0" (2,13 m) or 10' - 6" (3,20 m)	
P4-18G	Galv.	4" (102 mm) Ø OD x 0.226" (5,7 mm)	18" (457 mm)	7' - 0" (2,13 m) or 10' - 6" (3,20 m)	
P4-20G	Galv.	4" (102 mm) Ø OD x 0.226" (5,7 mm)	20" (508 mm)	7' - 0" (2,13 m) or 10' - 6" (3,20 m)	
P4-24G	Galv.	4" (102 mm) Ø OD x 0.226" (5,7 mm)	24" (610 mm)	7' - 0" (2,13 m) or 10' - 6" (3,20 m)	

G or Galv. = Hot Dipped Galvanized

HD = Heavy Duty

NOTE = Other types of assembly available



## TECHNO METAL POST SINGLE HELIX SYSTEM

### GALVANIZED

Part no.	Steel	Shaft dimension OD	Helix diam.	Shaft Length	Qty.
P4-8G-HD	Galv.	4" (102 mm) $\varnothing$ OD x 0.313" (7,95 mm)	8" (203 mm)	7' – 0" (2,13 m) or 10' – 6" (3,20 m)	
P4-10G-HD	Galv.	4" (102 mm) $\varnothing$ OD x 0.313" (7,95 mm)	10" (254 mm)	7' – 0" (2,13 m) or 10' – 6" (3,20 m)	
P4-12G-HD	Galv.	4" (102 mm) $\varnothing$ OD x 0.313" (7,95 mm)	12" (305 mm)	7' – 0" (2,13 m) or 10' – 6" (3,20 m)	
P4-16G-HD	Galv.	4" (102 mm) $\varnothing$ OD x 0.313" (7,95 mm)	16" (406 mm)	7' – 0" (2,13 m) or 10' – 6" (3,20 m)	
P4-18G-HD	Galv.	4" (102 mm) $\varnothing$ OD x 0.313" (7,95 mm)	18" (457 mm)	7' – 0" (2,13 m) or 10' – 6" (3,20 m)	
P4 -20G-HD	Galv.	4" (102 mm) $\varnothing$ OD x 0.313" (7,95 mm)	20" (508 mm)	7' – 0" (2,13 m) or 10' – 6" (3,20 m)	
P4-24G-HD	Galv.	4" (102 mm) $\varnothing$ OD x 0.313" (7,95 mm)	24" (610 mm)	7' – 0" (2,13 m) or 10' – 6" (3,20 m)	
P5-12G	Galv.	5 9/16" (141,3 mm) $\varnothing$ OD x 0.258" (6,6 mm)	12" (305 mm)	7' – 0" (2,13 m) or 10' – 6" (3,20 m)	
P5-16G	Galv.	5 9/16" (141,3 mm) $\varnothing$ OD x 0.258" (6,6 mm)	16" (406 mm)	7' – 0" (2,13 m) or 10' – 6" (3,20 m)	
P5-18G	Galv.	5 9/16" (141,3 mm) $\varnothing$ OD x 0.258" (6,6 mm)	18" (457 mm)	7' – 0" (2,13 m) or 10' – 6" (3,20 m)	
P5-20G	Galv.	5 9/16" (141,3 mm) $\varnothing$ OD x 0.258" (6,6 mm)	20" (508 mm)	7' – 0" (2,13 m) or 10' – 6" (3,20 m)	
P5-24G	Galv.	5 9/16" (141,3 mm) $\varnothing$ OD x 0.258" (6,6 mm)	24" (610 mm)	7' – 0" (2,13 m) or 10' – 6" (3,20 m)	
P6-12G	Galv.	6 5/8" (168 mm) $\varnothing$ OD x 0.280" (7,1 mm)	12" (305 mm)	7' – 0" (2,13 m) or 10' – 6" (3,20 m)	
P6-16G	Galv.	6 5/8" (168 mm) $\varnothing$ OD x 0.280" (7,1 mm)	16" (406 mm)	7' – 0" (2,13 m) or 10' – 6" (3,20 m)	
P6-18G	Galv.	6 5/8" (168 mm) $\varnothing$ OD x 0.280" (7,1 mm)	18" (457 mm)	7' – 0" (2,13 m) or 10' – 6" (3,20 m)	
P6-20G	Galv.	6 5/8" (168 mm) $\varnothing$ OD x 0.280" (7,1 mm)	20" (508 mm)	7' – 0" (2,13 m) or 10' – 6" (3,20 m)	
P6-24G	Galv.	6 5/8" (168 mm) $\varnothing$ OD x 0.280" (7,1 mm)	24" (610 mm)	7' – 0" (2,13 m) or 10' – 6" (3,20 m)	

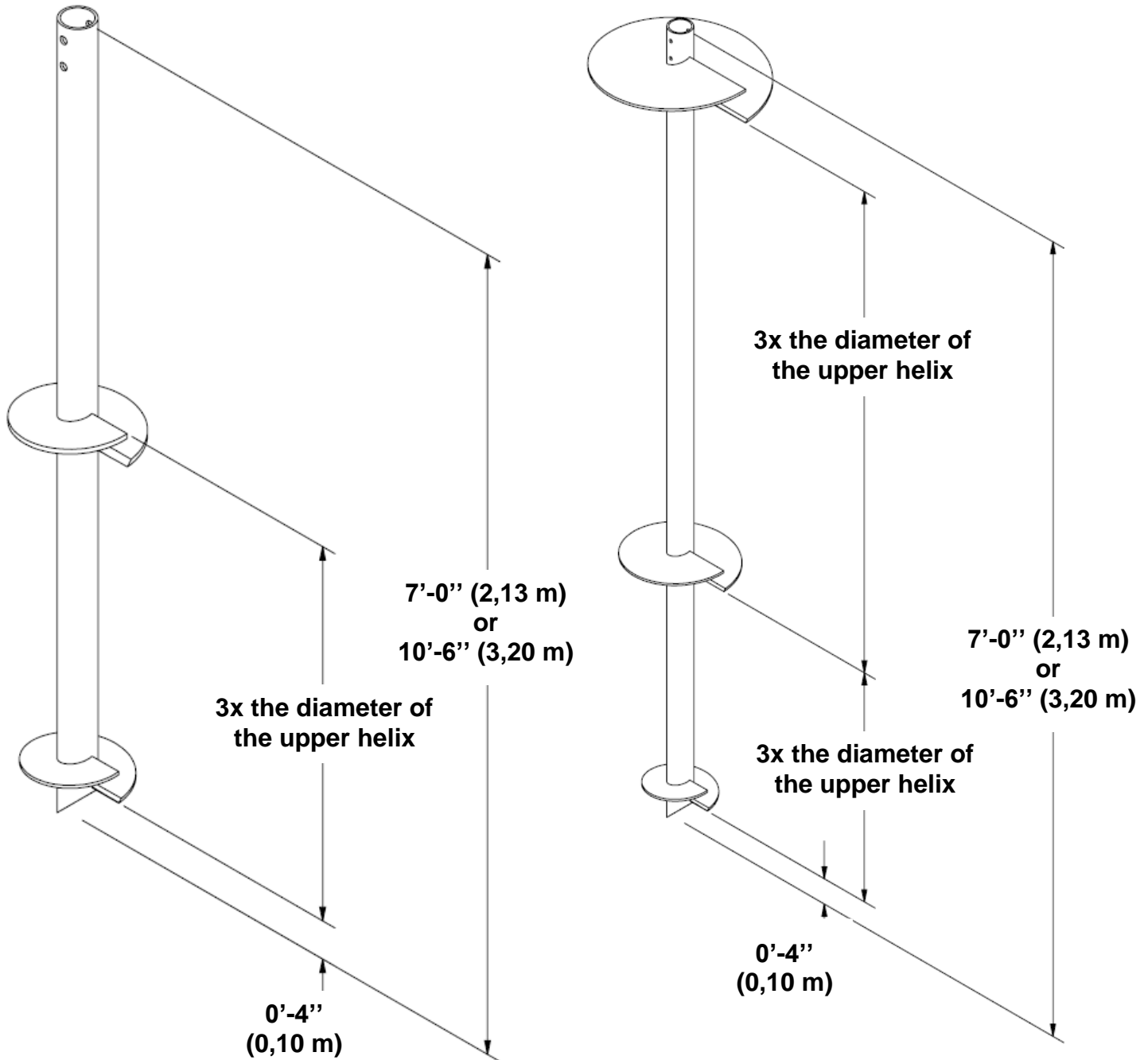
G or Galv. = Hot Dipped Galvanized

HD = Heavy Duty

NOTE = Other types of assembly available



## Double and triple helix systems



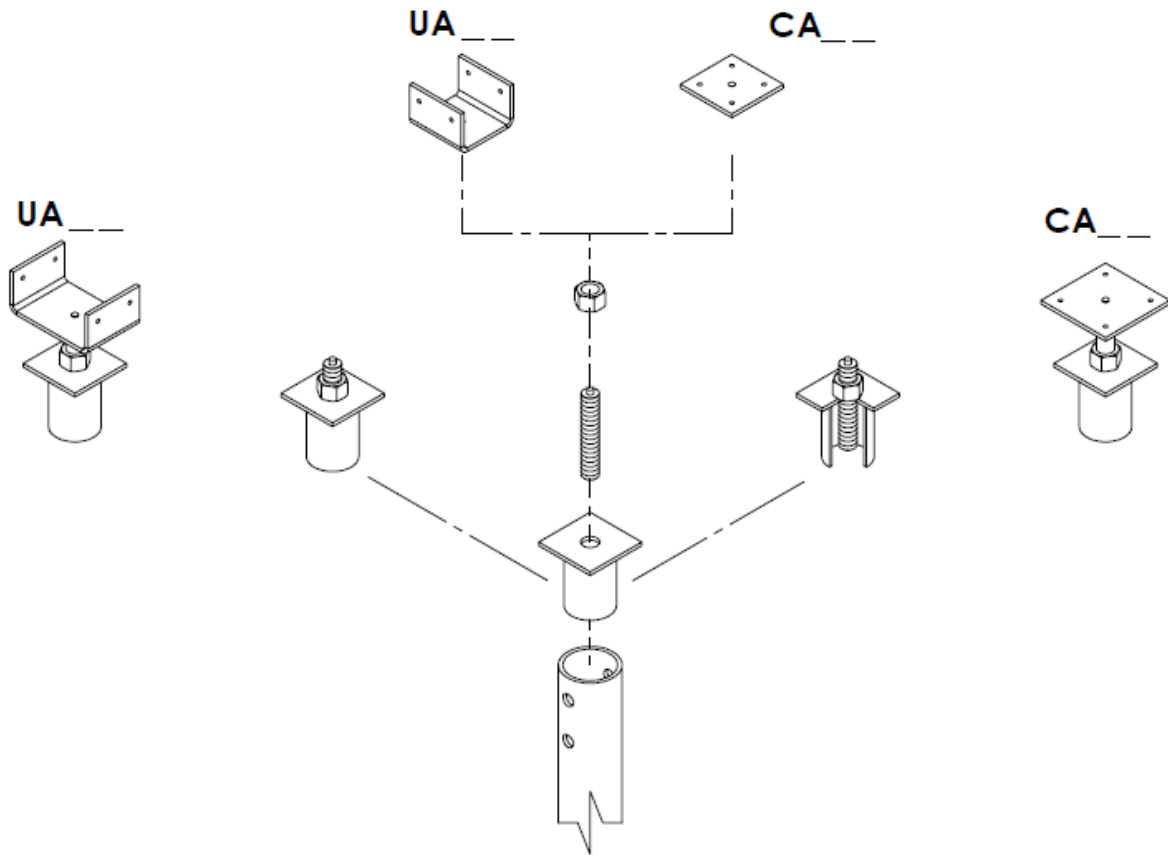


## **TECHNO METAL POST DOUBLE AND TRIPLE HELIX SYSTEMS**

General Name : P3 – 81012N

The different types of assembly will be determined by the Techno Metal Post Engineers.

## Adjustable head system – complete

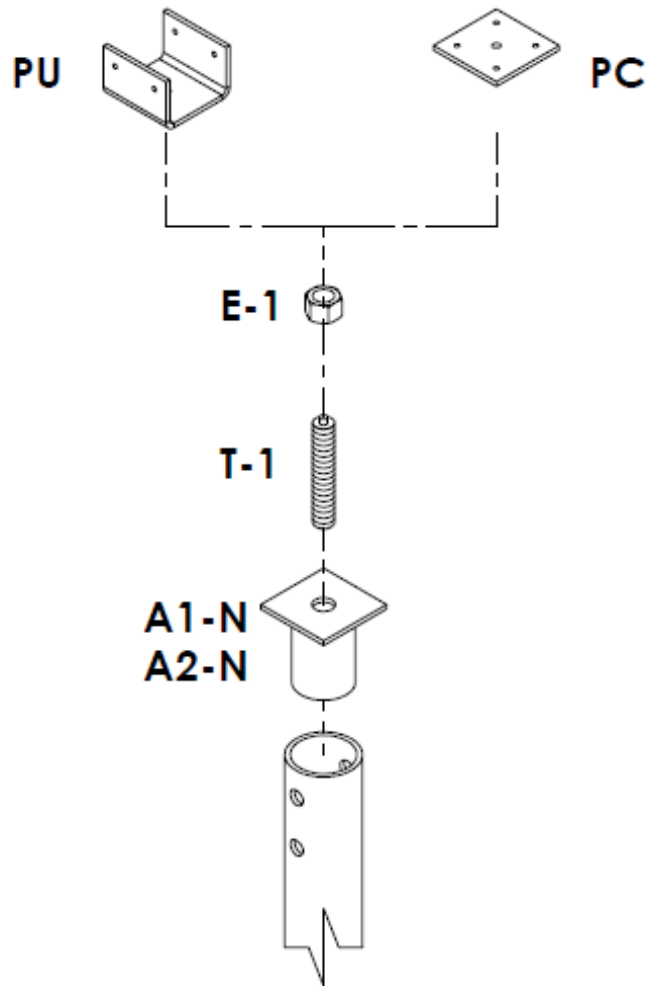


<b>ADJUSTABLE HEAD SYSTEM - COMPLETE</b>				
<b>Part no.</b>	<b>Steel</b>	<b>Plate Dimensions</b>	<b>Adapter dimensions</b>	<b>Qty</b>
<b>ADJUSTABLE SYSTEM WITH SQUARE PLATE</b>				
CA1-4N	Black	4" (102 mm) x 4" (102 mm) x 1/4" (6,35 mm)	1 1/2" (38 mm) Ø OD x 0.140" (3,55 mm)	
CA1-5N	Black	5" (127 mm) x 5" (127 mm) x 1/4" (6,35 mm)	1 1/2" (38 mm) Ø OD x 0.140" (3,55 mm)	
CA2-4N	Black	4" (102 mm) x 4" (102 mm) x 1/4" (6,35 mm)	1 7/8" (48 mm) Ø OD x 0.145" (3,68 mm)	
CA2-5N	Black	5" (127 mm) x 5" (127 mm) x 1/4" (6,35 mm)	1 7/8" (48 mm) Ø OD x 0.145" (3,68 mm)	
CA3-4N	Black	4" (102 mm) x 4" (102 mm) x 1/4" (6,35 mm)	2 7/8" (73 mm) Ø O.D. x 0.203" (5,16 mm)	
CA3-5N	Black	5" (127 mm) x 5" (127 mm) x 1/4" (6,35 mm)	2 7/8" (73 mm) Ø O.D. x 0.203" (5,16 mm)	
CA1-4G	Galv.	4" (102 mm) x 4" (102 mm) x 1/4" (6,35 mm)	1 1/2" (38 mm) Ø OD x 0.140" (3,55 mm)	
CA1-5G	Galv.	5" (127 mm) x 5" (127 mm) x 1/4" (6,35 mm)	1 1/2" (38 mm) Ø OD x 0.140" (3,55 mm)	
CA2-4G	Galv.	4" (102 mm) x 4" (102 mm) x 1/4" (6,35 mm)	1 7/8" (48 mm) Ø OD x 0.145" (3,68 mm)	
CA2-5G	Galv.	5" (127 mm) x 5" (127 mm) x 1/4" (6,35 mm)	1 7/8" (48 mm) Ø OD x 0.145" (3,68 mm)	
CA3-4G	Galv.	4" (102 mm) x 4" (102 mm) x 1/4" (6,35 mm)	2 7/8" (73 mm) Ø OD x 0.203" (5,16 mm)	
CA3-5G	Galv.	5" (127 mm) x 5" (127 mm) x 1/4" (6,35 mm)	2 7/8" (73 mm) Ø OD x 0.203" (5,16 mm)	
<b>ADJUSTABLE SYSTEM WITH "U" PLATE</b>				
UA1-4N	Black	3 1/2" (89 mm) x 4" (102 mm) x 2 3/4" (70 mm) x 1/4" (6,35 mm)	1 1/2" (38 mm) Ø OD x 0.140" (3,55 mm)	
UA1-5N	Black	5 1/2" (140 mm) x 4" (102 mm) x 2 3/4" (70 mm) x 1/4" (6,35 mm)	1 1/2" (38 mm) Ø OD x 0.140" (3,55 mm)	
UA2-4N	Black	3 1/2" (89 mm) x 4" (102 mm) x 2 3/4" (70 mm) x 1/4" (6,35 mm)	1 7/8" (48 mm) Ø OD x 0.145" (3,68 mm)	
UA2-5N	Black	5 1/2" (140 mm) x 4" (102 mm) x 2 3/4" (70 mm) x 1/4" (6,35 mm)	1 7/8" (48 mm) Ø OD x 0.145" (3,68 mm)	
UA1-4G	Galv.	3 1/2" (89 mm) x 4" (102 mm) x 2 3/4" (70 mm) x 1/4" (6,35 mm)	1 1/2" (38 mm) Ø OD x 0.140" (3,55 mm)	
UA1-5G	Galv.	5 1/2" (140 mm) x 4" (102 mm) x 2 3/4" (70 mm) x 1/4" (6,35 mm)	1 1/2" (38 mm) Ø OD x 0.140" (3,55 mm)	
UA2-4G	Galv.	3 1/2" (89 mm) x 4" (102 mm) x 2 3/4" (70 mm) x 1/4" (6,35 mm)	1 7/8" (48 mm) Ø OD x 0.145" (3,68 mm)	
UA2-5G	Galv.	5 1/2" (140 mm) x 4" (102 mm) x 2 3/4" (70 mm) x 1/4" (6,35 mm)	1 7/8" (48 mm) Ø OD x 0.145" (3,68 mm)	

G or Galv. = Hot dipped Galvanized  
 N = Black

NOTES = Support system can be attached to piles in the following ways : welded, bolted or self tapping screws.  
 Support system can be manufactured to other design.

## Adjustable support system – detailed

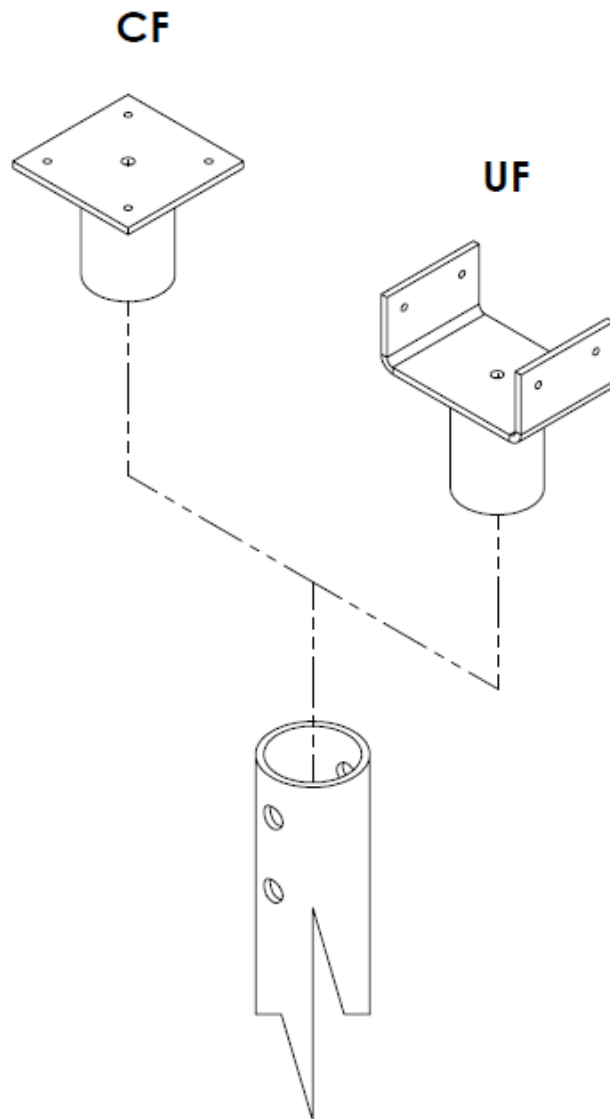


<b>ADJUSTABLE SUPPORT SYSTEM – DETAILED</b>			
<b>Part no.</b>	<b>Steel</b>	<b>Dimensions</b>	<b>Qty</b>
<b>Flate Plate</b>			
PC-4N	Black	4" (102 mm) x 4" (102 mm) x 1/4" (6,35 mm)	
PC-5N	Black	5" (127 mm) x 5" (127 mm) x 1/4" (6.35 mm)	
PC-4G	Galv.	4" (102 mm) x 4" (102 mm) x 1/4" (6,35 mm)	
PC-5G	Galv.	5" (127 mm) x 5" (127 mm) x 1/4" (6.35 mm)	
<b>U – Plate</b>			
PU-4N	Black	3 1/2" (89 mm) x 4" (102 mm) x 2 3/4" (70 mm) x 1/4" (6,35 mm)"	
PU-5N	Black	5 1/2" (140 mm) x 4" (102 mm) x 2 3/4" (70 mm) x 1/4" (6,35 mm)"	
PU-4N	Galv.	3 1/2" (89 mm) x 4" (102 mm) x 2 3/4" (70 mm) x 1/4" (6,35 mm)"	
PU-5N	Galv.	5 1/2" (140 mm) x 4" (102 mm) x 2 3/4" (70 mm) x 1/4" (6,35 mm)"	
<b>Adapter</b>			
A1-N	Black	1 1/2" (38 mm) Ø OD x 0.140" (3,55 mm)	
A2-N	Black	1 7/8" (48 mm) Ø OD x 0.145" (3,68 mm)	
A3-N	Black	2 7/8" (73 mm) Ø OD x 0.203" (5,16 mm)	
A1-G	Galv.	1 1/2" (38 mm) Ø OD x 0.140" (3,55 mm)	
A2-G	Galv.	1 7/8" (48 mm) Ø OD x 0.145" (3,68 mm)	
A3-G	Galv.	2 7/8" (73 mm) Ø OD x 0.203" (5,16 mm)	
<b>Threaded Rod</b>			
T-1	Zinc Plated	Threaded rod 1" (25 mm) NC	
<b>Hexagonal Nut</b>			
E-1	Zinc Plated	Nut hex 1" (25 mm) NC	

G or Galv. = Hot dipped galvanized  
 N = Black

NOTES = Support system can be attached to piles in the following ways : welded, bolted or self tapping screws.  
 Support system can be manufactured to other design.

## Support fixtures



## Support Fixtures

Part no.	Steel	Plate dimensions	Adapter dimensions	Qty.
<b>SUPPORT SYSTEM WITH FLATE PLATE</b>				
CF1-4N	Black	4" (102 mm) x 4" (102 mm) x 1/4" (6,35 mm)	1 1/2" (38 mm) Ø OD x 0.140" (3,55 mm)	
CF1-5N	Black	5" (127 mm) x 5" (127 mm) x 1/4" (6,35 mm)	1 1/2" (38 mm) Ø OD x 0.140" (3,55 mm)	
CF2-4N	Black	4" (102 mm) x 4" (102 mm) x 1/4" (6,35 mm)	1 7/8" (48 mm) Ø OD x 0.145" (3,68 mm)	
CF2-5N	Black	5" (127 mm) x 5" (127 mm) x 1/4" (6,35 mm)	1 7/8" (48 mm) Ø OD x 0.145" (3,68 mm)	
CF3-4N	Black	4" (102 mm) x 4" (102 mm) x 1/4" (6,35 mm)	2 7/8" (73 mm) Ø OD x 0.203" (5,16 mm)	
CF3-5N	Black	5" (127 mm) x 5" (127 mm) x 1/4" (6,35 mm)	2 7/8" (73 mm) Ø OD x 0.203" (5,16 mm)	
CF3-6N	Black	6" (152 mm) x 6" (152 mm) x 3/8" (9,53 mm)	2 7/8" (73 mm) Ø OD x 0.203" (5,16 mm)	
CF1-4G	Galv.	4" (102 mm) x 4" (102 mm) x 1/4" (6,35 mm)	1 1/2" (38 mm) Ø OD x 0.140" (3,55 mm)	
CF1-5G	Galv.	5" (127 mm) x 5" (127 mm) x 1/4" (6,35 mm)	1 1/2" (38 mm) Ø OD x 0.140" (3,55 mm)	
CF2-4G	Galv.	4" (102 mm) x 4" (102 mm) x 1/4" (6,35 mm)	1 7/8" (48 mm) Ø OD x 0.145" (3,68 mm)	
CF2-5G	Galv.	5" (127 mm) x 5" (127 mm) x 1/4" (6,35 mm)	1 7/8" (48 mm) Ø OD x 0.145" (3,68 mm)	
CF3-4G	Galv.	4" (102 mm) x 4" (102 mm) x 1/4" (6,35 mm)	2 7/8" (73 mm) Ø OD x 0.203" (5,16 mm)	
CF3-5G	Galv.	5" (127 mm) x 5" (127 mm) x 1/4" (6,35 mm)	2 7/8" (73 mm) Ø OD x 0.203" (5,16 mm)	
CF3-6G	Galv.	6" (152 mm) x 6" (152 mm) x 3/8" (9,53 mm)	2 7/8" (73 mm) Ø OD x 0.203" (5,16 mm)	
<b>SUPPORT SYSTEM WITH U - PLATE</b>				
UF1-4N	Black	3 1/2" (89 mm) x 4" (102 mm) x 2 3/4" (70 mm) x 1/4" (6,35 mm)	1 1/2" (38 mm) Ø OD x 0.140" (3,55 mm)	
UF1-5N	Black	5 1/2" (140 mm) x 4" (102 mm) x 2 3/4" (70 mm) x 1/4" (6,35 mm)	1 1/2" (38 mm) Ø OD x 0.140" (3,55 mm)	
UF2-4N	Black	3 1/2" (89 mm) x 4" (102 mm) x 2 3/4" (70 mm) x 1/4" (6,35 mm)	1 7/8" (48 mm) Ø OD x 0.145" (3,68 mm)	
UF2-5N	Black	5 1/2" (140 mm) x 4" (102 mm) x 2 3/4" (70 mm) x 1/4" (6,35 mm)	1 7/8" (48 mm) Ø OD x 0.145" (3,68 mm)	
UF1-4G	Galv.	3 1/2" (89 mm) x 4" (102 mm) x 2 3/4" (70 mm) x 1/4" (6,35 mm)	1 1/2" (38 mm) Ø OD x 0.140" (3,55 mm)	
UF1-5G	Galv.	5 1/2" (140 mm) x 4" (102 mm) x 2 3/4" (70 mm) x 1/4" (6,35 mm)	1 1/2" (38 mm) Ø OD x 0.140" (3,55 mm)	
UF2-4G	Galv.	3 1/2" (89 mm) x 4" (102 mm) x 2 3/4" (70 mm) x 1/4" (6,35 mm)	1 7/8" (48 mm) Ø OD x 0.145" (3,68 mm)	
UF2-5G	Galv.	5 1/2" (140 mm) x 4" (102 mm) x 2 3/4" (70 mm) x 1/4" (6,35 mm)	1 7/8" (48 mm) Ø OD x 0.145" (3,68 mm)	

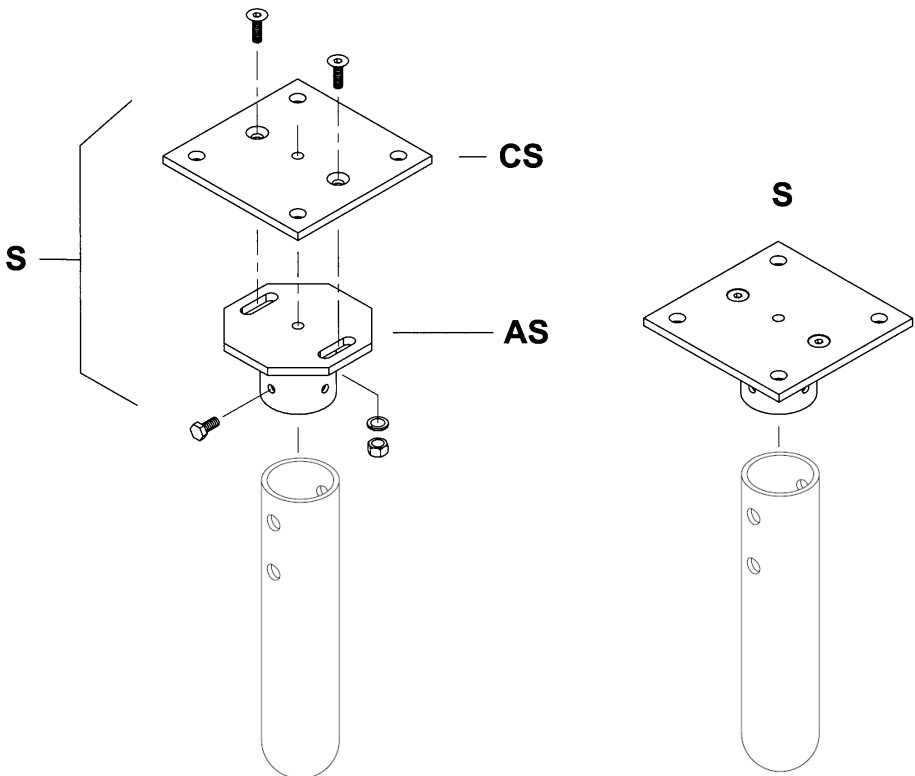
G or Galv. = Hot dipped Galvanised  
N = Black

NOTES = Support system can be attached to piles in the following ways : welded, bolted or self tapping screws.  
Support system can be manufactured to other design.



<b>SPECIAL SUPPORT SYSTEM</b>					
<b>Part no.</b>	<b>Steel</b>	<b>Plate dimensions</b>	<b>Adapter dimensions</b>	<b>Assembly type</b>	<b>Qté</b>
<b>SPECIAL SQUARE PLATE – COMPLETE</b>					
S4-N	Black	10" (254 mm) x 10" (254 mm) x 1/2" (12,7 mm)	4" (102 mm) Ø OD x 0.226" (5,74 mm)	Welded or Bolted	
S4-G	Galv.	10" (254 mm) x 10" (254 mm) x 1/2" (12,7 mm)	4" (102 mm) Ø OD x 0.226" (5,74 mm)	Welded or Bolted	
<b>SPECIAL SQUARE PLATE – DETAILED</b>					
<b>SPECIAL PLATE</b>					
CS-8N	Black	8" (203 mm) x 8" (203 mm) x 1/2" (12,7 mm) HEX	----	Welded or Bolted	
CS-10N	Black	10" (254 mm) x 10" (254 mm) x 1/2" (12,7 mm)	----	Welded or Bolted	
CS-10G	Galv.	10" (254 mm) x 10" (254 mm) x 1/2" (12,7 mm)	----	Welded or Bolted	
<b>ADAPTER</b>					
AS-N	Black	8" (203 mm) x 8" (203 mm) x 1/2" (12,7 mm) HEX	4" (102 mm) Ø OD x 0.226" (5,74 mm)	Welded or Bolted	
AS-G	Galv.	8" (203 mm) x 8" (203 mm) x 1/2" (12,7 mm) HEX	4" (102 mm) Ø OD x 0.226" (5,74 mm)	Welded or Bolted	

G or Galv. = Hot dipped galvanized  
 N = Black

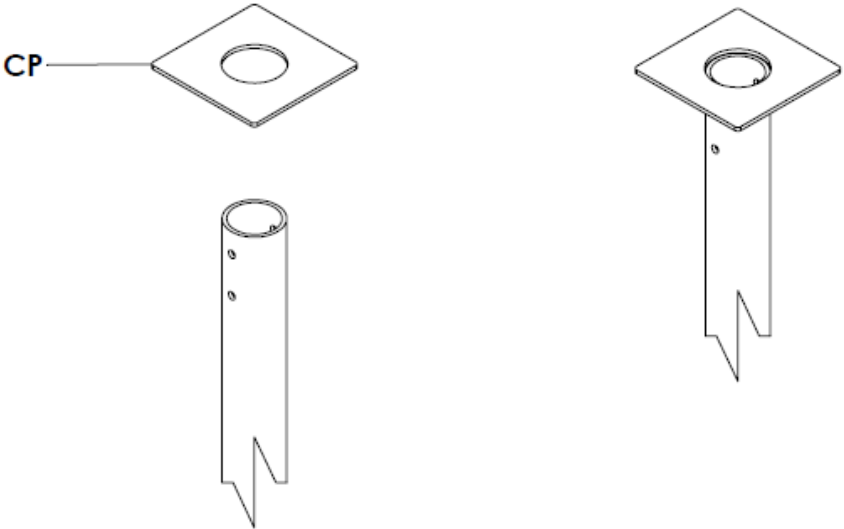


**WELDED SUPPORT SYSTEM**

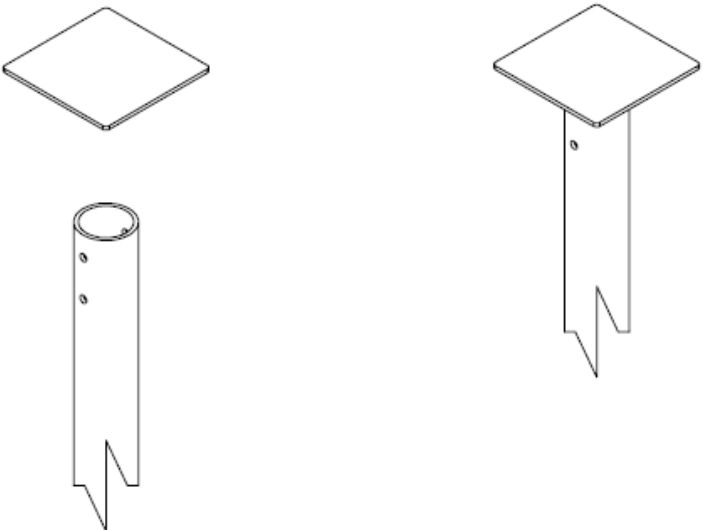
General Name : CP3-6-04-G

These plates are made to custom order

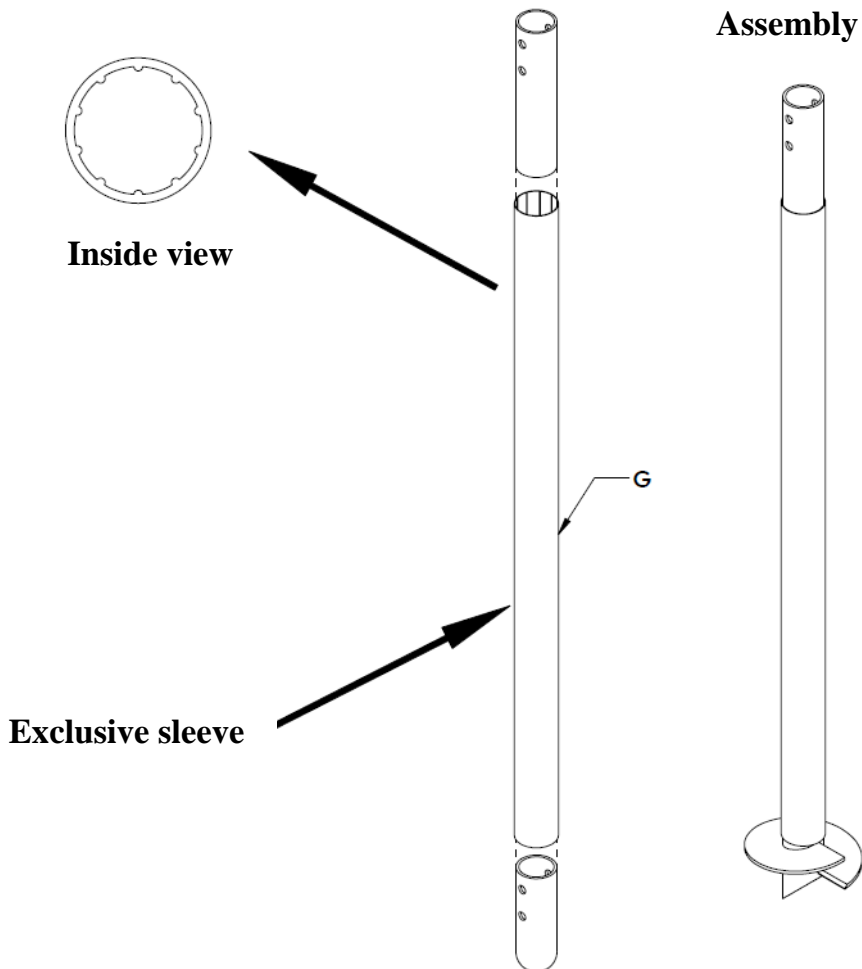
**Drilled plate**



**No-Drilled plate**



<b>EXCLUSIVE SLEEVE</b>		
<b>Part no.</b>	<b>Dimension</b>	<b>Qty</b>
G-1	2" (51 mm) Ø ID x 6' - 0" (1,83 m)	PAQ. OF 25
G-2	2 1/2" (64 mm) Ø ID x 6' - 0" (1,83 m)	PAQ. OF 25
G-3	3 5/8" (92 mm) Ø ID x 6' - 0" (1,83 m)	PAQ. OF 10
G-4	4 1/8" (105 mm) Ø ID x 6' - 0" (1,83 m)	PAQ. OF 5
G-5	5 11/16" (144 mm) Ø ID x 6' - 0" (1,83 m)	PAQ. OF 4



## Coupling

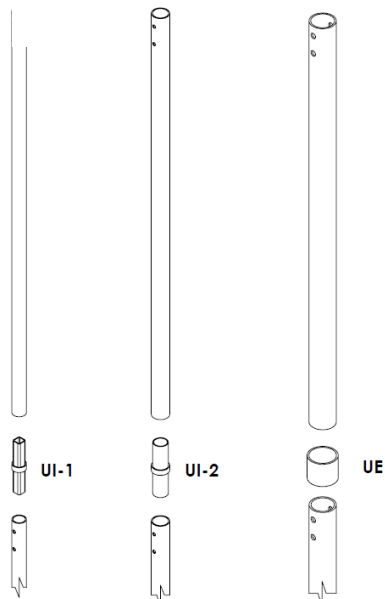
Part no.	Steel	Dimension	Assembly type	Qty
<b>Inside</b>				
UI-1N	Noir	1 1/4" (32 mm) x 1 1/4" (32 mm) x 0.125" (3,17 mm) x 3 1/2" (89 mm)	Welded, bolted or self tapping screws	
UI-2N	Noir	1 7/8" (48 mm) Ø OD x 0.145" (3,68 mm) x 3 1/2" (89 mm)	Welded, bolted or self tapping screws	
UI-3N	Noir	2 7/8" (73 mm) Ø OD x 0.203" (5,16 mm) x 3 1/2" (89 mm)	Welded, bolted or self tapping screws	
UI-4N	Noir	3 1/2" (89 mm) Ø OD x 0.216" (5,49 mm) x 3 1/2" (89 mm)	Welded, bolted or self tapping screws	
UI-5N	Noir	5" (127 mm) Ø OD x 0.250" (6,35 mm) x 3" (76 mm)	Welded, bolted or self tapping screws	
UI-6N	Noir	6" (152 mm) Ø OD x 0.188" (4,78 mm) x 3" (76 mm)	Welded, bolted or self tapping screws	
UI-1G	Galv.	1 1/4" (32 mm) x 1 1/4" (32 mm) x 0.125" (3,17 mm) x 3 1/2" (89 mm)	Welded, bolted or self tapping screws	
UI-2G	Galv.	1 7/8" (48 mm) Ø OD x 0.145" (3,68 mm) x 3 1/2" (89 mm)	Welded, bolted or self tapping screws	
UI-3G	Galv.	2 7/8" (73 mm) Ø OD x 0.203" (5,16 mm) x 3 1/2" (89 mm)	Welded, bolted or self tapping screws	
UI-4G	Galv.	3 1/2" (89 mm) Ø OD x 0.216" (5,49 mm) x 3 1/2" (89 mm)	Welded, bolted or self tapping screws	
UI-5G	Galv.	5" (127 mm) Ø OD x 0.250" (6,35 mm) x 3" (76 mm)	Welded, bolted or self tapping screws	
UI-6G	Galv.	6" (152 mm) Ø OD x 0.188" (4,78 mm) x 3" (76 mm)	Welded, bolted or self tapping screws	
<b>Outside</b>				
UE-1N	Noir	2 3/8" (60 mm) Ø OD x 0.154" (3,91 mm) x 3 1/2" (89 mm)	Welded or Bolted	
UE-2N	Noir	2 7/8" (73 mm) Ø OD x 0.203" (5,16 mm) x 3 1/2" (89 mm)	Welded or Bolted	
UE-3N	Noir	4" (102 mm) Ø OD x 0.226" (5,74 mm) x 3 1/2" (89 mm)	Welded or Bolted	
UE-4N	Noir	4 1/2" (114,3 mm) Ø OD x 0.237" (6,02 mm) x 3 1/2" (89 mm)	Welded or Bolted	
UE-5N	Noir.	6" (152 mm) Ø OD x 0.188" (4,78 mm) x 3" (76 mm)	Welded or Bolted	
UE-1G	Galv.	2 3/8" (60 mm) Ø OD x 0.154" (3,91 mm) x 3 1/2" (89 mm)	Welded or Bolted	
UE-2G	Galv.	2 7/8" (73 mm) Ø OD x 0.203" (5,16 mm) x 3 1/2" (89 mm)	Welded or Bolted	
UE-3G	Galv.	4" (102 mm) Ø OD x 0.226" (5,74 mm) x 3 1/2" (89 mm)	Welded or Bolted	
UE-4G	Galv.	4 1/2" (114,3 mm) Ø OD x 0.237" (6,02 mm) x 3 1/2" (89 mm)	Welded or Bolted	
UE-5G	Galv.	6" (152 mm) Ø OD x 0.188" (4,78 mm) x 3" (76 mm)	Welded or Bolted	

G or Galv. = Hot dipped galvanized

N = Black

**Inside**

**Outside**



EXTENSION			
Part no.	Steel	Shaft dimension	Qty
R1N	Black	1 7/8" (48 mm) Ø OD x 0.145" (3,68 mm) x 7'- 0" (2,13 m) or 10' - 6" (3,20 m)	
R2N	Black	2 3/8" (60 mm) Ø OD x 0.154" (3,91 mm)x 7'- 0" (2,13 m) or 10' - 6" (3,20 m)	
R3N	Black	3 1/2" (89 mm) Ø OD x 0.216" (5,48 mm) x 7'- 0" (2,13 m) or 10' - 6" (3,20 m)	
R3N-HD	Black	3 1/2" (89 mm) Ø OD x 0.300" (7,62 mm) x 7'- 0" (2,13 m) or 10' - 6" (3,20 m)	
R4N	Black	4" (102 mm) Ø OD x 0.226" (5,74 mm) x 7'- 0" (2,13 m) or 10' - 6" (3,20 m)	
R4N-HD	Black	4" (102 mm) Ø OD x 0.313" (7,95 mm) x 7'- 0" (2,13 m) or 10' - 6" (3,20 m)	
R5N	Black	5 9/16" (141,3 mm) Ø OD x 0.258" (6,6 mm) x 7'- 0" (2,13 m) or 10' - 6" (3,20 m)	
R6N	Black	6 5/8" (168 mm) Ø OD x 0.280" (7,11 mm)x 7'- 0" (2,13 m) or 10' - 6" (3,20 m)	
R1G	Galv.	1 7/8" (48 mm) Ø OD x 0.145" (3,68 mm) x 7'- 0" (2,13 m) or 10' - 6" (3,20 m)	
R2G	Galv.	2 3/8" (60 mm) Ø OD x 0.154" (3,91 mm)x 7'- 0" (2,13 m) or 10' - 6" (3,20 m)	
R3G	Galv.	3 1/2" (89 mm) Ø OD x 0.216" (5,48 mm) x 7'- 0" (2,13 m) or 10' - 6" (3,20 m)	
R3G-HD	Galv.	3 1/2" (89 mm) Ø OD x 0.300" (7,62 mm) x 7'- 0" (2,13 m) or 10' - 6" (3,20 m)	
R4G	Galv.	4" (102 mm) Ø OD x 0.226" (5,74 mm) x 7'- 0" (2,13 m) or 10' - 6" (3,20 m)	
R4G-HD	Galv.	4" (102 mm) Ø OD x 0.313" (7,95 mm) x 7'- 0" (2,13 m) or 10' - 6" (3,20 m)	
R5G	Galv.	5 9/16" (141,3 mm) Ø OD x 0.258" (6,6 mm) x 7'- 0" (2,13 m) or 10' - 6" (3,20 m)	
R6G	Galv.	6 5/8" (168 mm) Ø OD x 0.280" (7,11 mm)x 7'- 0" (2,13 m) or 10' - 6" (3,20 m)	

G or Galv. = Hot dipped galvanized

N = Black

HD = High density

NOTE = Other length are available on request.

