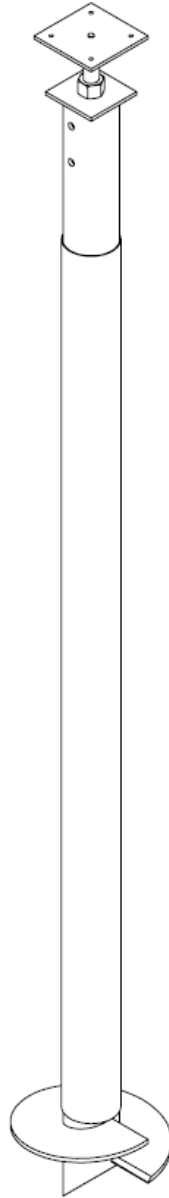
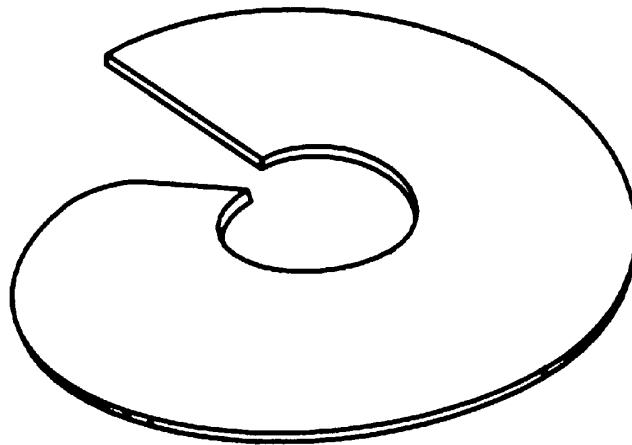


Parts Manual



HELIX

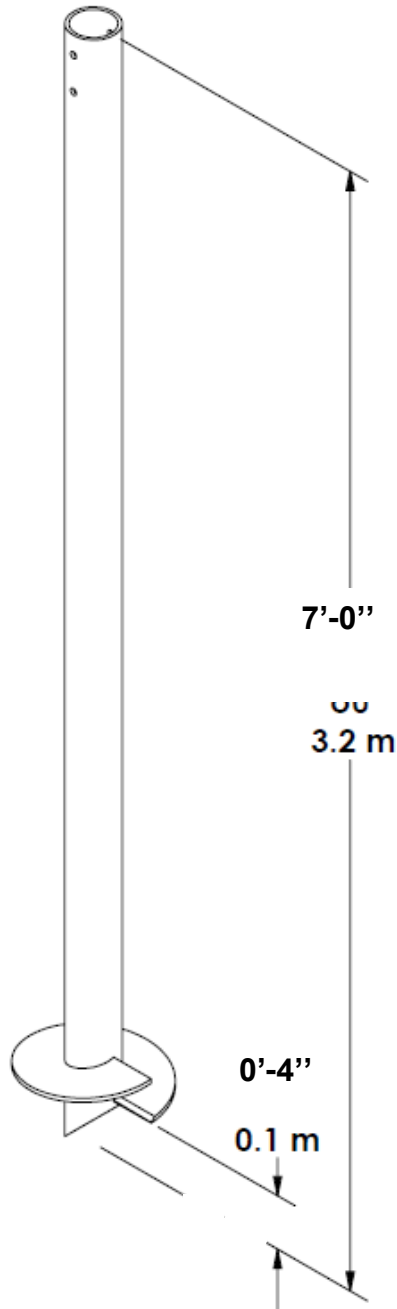




Helix				
Part no.	Steel	Outside Diameter	Thickness	Qty
Shaft 1 7/8" Ø OD				
H1-6N or G	Black / Galv.	6"	0.375"	
H1-8N or G	Black / Galv.	8"	0.375"	
H1-10N or G	Black / Galv.	10"	0.375"	
H1-12N or G	Black / Galv.	12"	0.375"	
H1-16N or G	Black / Galv.	16"	0.375"	
Shaft 2 3/8" Ø OD				
H2-6N or G	Black / Galv.	6"	0.375"	
H2-8N or G	Black / Galv.	8"	0.375"	
H2-10N or G	Black / Galv.	10"	0.375"	
H2-12N or G	Black / Galv.	12"	0.375"	
H2-14N or G	Black / Galv.	14"	0.375"	
H2-16N or G	Black / Galv.	16"	0.375"	
H2-18N or G	Black / Galv.	18"	0.375"	
H2-24N or G	Black / Galv.	24"	0.375"	
Shaft 3 1/2" Ø OD				
H3-8N or G	Black / Galv.	8"	0.500"	
H3-10N or G	Black / Galv.	10"	0.500"	
H3-12N or G	Black / Galv.	12"	0.500"	
H3-16N or G	Black / Galv.	16"	0.500"	
H3-18N or G	Black / Galv.	18"	0.500"	
H3-20N or G	Black / Galv.	20"	0.500"	
H3-24N or G	Black / Galv.	24"	0.500"	
Shaft 4" Ø OD				
H4-8N or G	Black / Galv.	8"	0.500"	
H4-10N or G	Black / Galv.	10"	0.500"	
H4-12N or G	Black / Galv.	12"	0.500"	
H4-16N or G	Black / Galv.	16"	0.500"	
H4-18N or G	Black / Galv.	18"	0.500"	
H4-20N or G	Black / Galv.	20"	0.500"	
H4-24N or G	Black / Galv.	24"	0.500"	
Shaft 5 9/16" Ø OD				
H5-12N or G	Black / Galv.	12"	0.500"	
H5-16N or G	Black / Galv.	16"	0.500"	
H5-18N or G	Black / Galv.	18"	0.500"	
H5-20N or G	Black / Galv.	20"	0.500"	
H5-24N or G	Black / Galv.	24"	0.500"	
Shaft 6 5/8" Ø OD				
H6-12N or G	Black / Galv.	12"	0.500"	
H6-16N or G	Black / Galv.	16"	0.500"	
H6-18N or G	Black / Galv.	18"	0.500"	
H6-20N or G	Black / Galv.	20"	0.500"	
H6-24N or G	Black / Galv.	24"	0.500"	

G or galv. = Hot Dipped Galvanized
 N = Black

Single helix system





TECHNO METAL POST SINGLE HELIX SYSTEM

BLACK STEEL

Part no.	Steel	Shaft dimension OD	Helix diam.	Shaft Length	Qty.
P1-6N	Black	1 7/8" Ø OD x 0.145"	6"	7' - 0" or 10' - 6"	
P1- 8N	Black	1 7/8" Ø OD x 0.145"	8"	7' - 0" or 10' - 6"	
P1-10N	Black	1 7/8" Ø OD x 0.145"	10"	7' - 0" or 10' - 6"	
P1-12N	Black	1 7/8" Ø OD x 0.145"	12"	7' - 0" or 10' - 6"	
P1-16N	Black	1 7/8" Ø OD x 0.145"	16"	7' - 0" or 10' - 6"	
P2- 6N	Black	2 3/8" Ø OD x 0.154"	6"	7' - 0" or 10' - 6"	
P2- 8N	Black	2 3/8" Ø OD x 0.154"	8"	7' - 0" or 10' - 6"	
P2-10N	Black	2 3/8" Ø OD x 0.154"	10"	7' - 0" or 10' - 6"	
P2-12N	Black	2 3/8" Ø OD x 0.154"	12"	7' - 0" or 10' - 6"	
P2-14N	Black	2 3/8" Ø OD x 0.154"	14"	7' - 0" or 10' - 6"	
P2-16N	Black	2 3/8" Ø OD x 0.154"	16"	7' - 0" or 10' - 6"	
P3-8N	Black	3 1/2" Ø OD x 0.216"	8"	7' - 0" or 10' - 6"	
P3-10N	Black	3 1/2" Ø OD x 0.216"	10"	7' - 0" or 10' - 6"	
P3-12N	Black	3 1/2" Ø OD x 0.216"	12"	7' - 0" or 10' - 6"	
P3-16N	Black	3 1/2" Ø OD x 0.216"	16"	7' - 0" or 10' - 6"	
P3-18N	Black	3 1/2" Ø OD x 0.216"	18"	7' - 0" or 10' - 6"	
P3-24N	Black	3 1/2" Ø OD x 0.216"	24"	7' - 0" or 10' - 6"	
P3-8N-HD	Black	3 1/2" Ø OD x 0.300"	8"	7' - 0" or 10' - 6"	
P3-10N-HD	Black	3 1/2" Ø OD x 0.300"	10"	7' - 0" or 10' - 6"	
P3-12N-HD	Black	3 1/2" Ø OD x 0.300"	12"	7' - 0" or 10' - 6"	
P3-16N-HD	Black	3 1/2" Ø OD x 0.300"	16"	7' - 0" or 10' - 6"	
P3-18N-HD	Black	3 1/2" Ø OD x 0.300"	18"	7' - 0" or 10' - 6"	
P3-24N-HD	Black	3 1/2" Ø OD x 0.300"	24"	7' - 0" or 10' - 6"	
P4-8N	Black	4" Ø OD x 0.226"	8"	7' - 0" or 10' - 6"	
P4-10N	Black	4" Ø OD x 0.226"	10"	7' - 0" or 10' - 6"	
P4-12N	Black	4" Ø OD x 0.226"	12"	7' - 0" or 10' - 6"	
P4-16N	Black	4" Ø OD x 0.226"	16"	7' - 0" or 10' - 6"	
P4-18N	Black	4" Ø OD x 0.226"	18"	7' - 0" or 10' - 6"	
P4-24N	Black	4" Ø OD x 0.226"	24"	7' - 0" or 10' - 6"	

N = Black
 HD = Heavy Duty

NOTE: Other types of assembly available



TECHNO METAL POST SINGLE HELIX SYSTEM

BLACK STEEL

Part no.	Steel	Shaft dimension OD	Helix diam.	Shaft Length	Qty.
P4-8N-HD	Black	4" \varnothing OD x 0.313"	8"	7' - 0" or 10' - 6"	
P4-10N-HD	Black	4" \varnothing OD x 0.313"	10"	7' - 0" or 10' - 6"	
P4-12N-HD	Black	4" \varnothing OD x 0.313"	12"	7' - 0" or 10' - 6"	
P4-16N-HD	Black	4" \varnothing OD x 0.313"	16"	7' - 0" or 10' - 6"	
P4-18N-HD	Black	4" \varnothing OD x 0.313"	18"	7' - 0" or 10' - 6"	
P4-24N-HD	Black	4" \varnothing OD x 0.313"	24"	7' - 0" or 10' - 6"	
P5-12N	Black	5 9/16" \varnothing OD x 0.258"	12"	7' - 0" or 10' - 6"	
P5-16N	Black	5 9/16" \varnothing OD x 0.258"	16"	7' - 0" or 10' - 6"	
P5-18N	Black	5 9/16" \varnothing OD x 0.258"	18"	7' - 0" or 10' - 6"	
P5-24N	Black	5 9/16" \varnothing OD x 0.258"	24"	7' - 0" or 10' - 6"	
P6-12N	Black	6 5/8" \varnothing OD X 0.280"	12"	7' - 0" or 10' - 6"	
P6-16N	Black	6 5/8" \varnothing OD X 0.280"	16"	7' - 0" or 10' - 6"	
P6-18N	Black	6 5/8" \varnothing OD X 0.280"	18"	7' - 0" or 10' - 6"	
P6-24N	Black	6 5/8" \varnothing OD X 0.280"	24"	7' - 0" or 10' - 6"	

N = Black

HD = Heavy Duty

NOTE: Other types of assembly available



TECHNO METAL POST SINGLE HELIX SYSTEM

GALVANIZED

Part no.	Steel	Shaft dimension OD	Helix diam.	Shaft Length	Qty.
P1-6G	Galv.	1 7/8" Ø OD x 0.145"	6"	7' - 0" or 10' - 6"	
P1-8G	Galv.	1 7/8" Ø OD x 0.145"	8"	7' - 0" or 10' - 6"	
P1-10G	Galv.	1 7/8" Ø OD x 0.145"	10"	7' - 0" or 10' - 6"	
P1-12G	Galv.	1 7/8" Ø OD x 0.145"	12"	7' - 0" or 10' - 6"	
P1-16G	Galv.	1 7/8" Ø OD x 0.145"	16"	7' - 0" or 10' - 6"	
P2-6G	Galv.	2 3/8" Ø OD x 0.154"	6"	7' - 0" or 10' - 6"	
P2-8G	Galv.	2 3/8" Ø OD x 0.154"	8"	7' - 0" or 10' - 6"	
P2-10G	Galv.	2 3/8" Ø OD x 0.154"	10"	7' - 0" or 10' - 6"	
P2-12G	Galv.	2 3/8" Ø OD x 0.154"	12"	7' - 0" or 10' - 6"	
P2-14G	Galv.	2 3/8" Ø OD x 0.154"	14"	7' - 0" or 10' - 6"	
P2-16G	Galv.	2 3/8" Ø OD x 0.154"	16"	7' - 0" or 10' - 6"	
P3-8G	Galv.	3 1/2" Ø OD x 0.216"	8"	7' - 0" or 10' - 6"	
P3-10G	Galv.	3 1/2" Ø OD x 0.216"	10"	7' - 0" or 10' - 6"	
P3-12G	Galv.	3 1/2" Ø OD x 0.216"	12"	7' - 0" or 10' - 6"	
P3-16G	Galv.	3 1/2" Ø OD x 0.216"	16"	7' - 0" or 10' - 6"	
P3-18G	Galv.	3 1/2" Ø OD x 0.216"	18"	7' - 0" or 10' - 6"	
P3-24G	Galv.	3 1/2" Ø OD x 0.216"	24"	7' - 0" or 10' - 6"	
P3-8G-HD	Galv.	3 1/2" Ø OD x 0.300"	8"	7' - 0" or 10' - 6"	
P3-10G-HD	Galv.	3 1/2" Ø OD x 0.300"	10"	7' - 0" or 10' - 6"	
P3-12G-HD	Galv.	3 1/2" Ø OD x 0.300"	12"	7' - 0" or 10' - 6"	
P3-16G-HD	Galv.	3 1/2" Ø OD x 0.300"	16"	7' - 0" or 10' - 6"	
P3-18G-HD	Galv.	3 1/2" Ø OD x 0.300"	18"	7' - 0" or 10' - 6"	
P3-24G-HD	Galv.	3 1/2" Ø OD x 0.300"	24"	7' - 0" or 10' - 6"	
P4- 8G	Galv.	4" Ø OD x 0.226"	8"	7' - 0" or 10' - 6"	
P4-10G	Galv.	4" Ø OD x 0.226"	10"	7' - 0" or 10' - 6"	
P4-12G	Galv.	4" Ø OD x 0.226"	12"	7' - 0" or 10' - 6"	
P4-16G	Galv.	4" Ø OD x 0.226"	16"	7' - 0" or 10' - 6"	
P4-18G	Galv.	4" Ø OD x 0.226"	18"	7' - 0" or 10' - 6"	
P4-24G	Galv.	4" Ø OD x 0.226"	24"	7' - 0" or 10' - 6"	

G or Galv. : Hot Dipped Galvanized
 HD = Heavy Duty

NOTE: Other types of assembly available



TECHNO METAL POST SINGLE HELIX SYSTEM

GALVANIZED

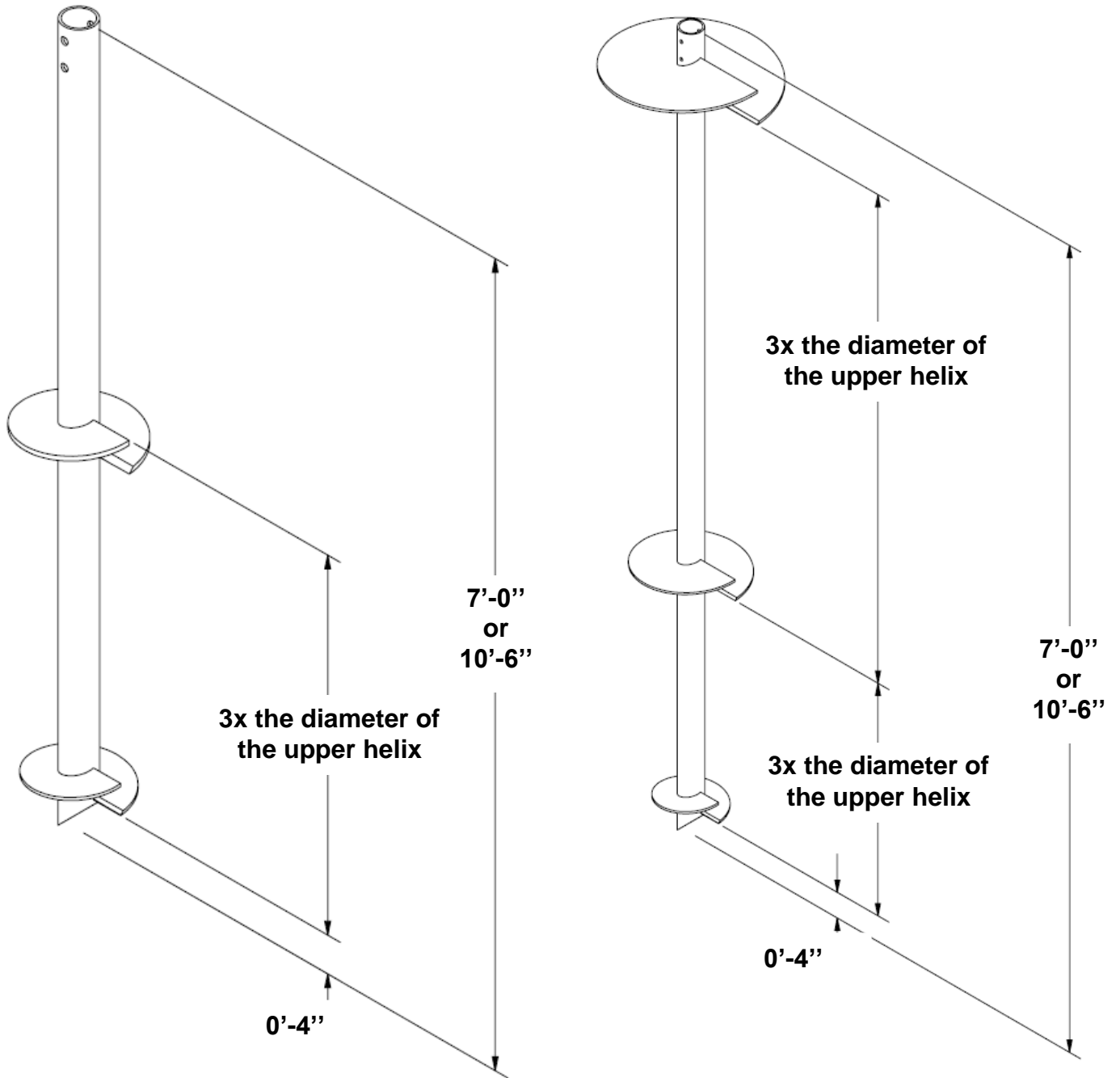
Part no.	Steel	Shaft dimension O.D	Helix diam.	Shaft Length	Qty.
P4-8G-HD	Galv.	4" Ø OD x 0.313"	8"	7' - 0" or 10' - 6"	
P4-10G-HD	Galv.	4" Ø OD x 0.313"	10"	7' - 0" or 10' - 6"	
P4-12G-HD	Galv.	4" Ø OD x 0.313"	12"	7' - 0" or 10' - 6"	
P4-16G-HD	Galv.	4" Ø OD x 0.313"	16"	7' - 0" or 10' - 6"	
P4-18G-HD	Galv.	4" Ø OD x 0.313"	18"	7' - 0" or 10' - 6"	
P4-24G-HD	Galv.	4" Ø OD x 0.313"	24"	7' - 0" or 10' - 6"	
P5-12G	Galv.	5 9/16" Ø OD x 0.258"	12"	7' - 0" or 10' - 6"	
P5-16G	Galv.	5 9/16" Ø OD x 0.258"	16"	7' - 0" or 10' - 6"	
P5-18G	Galv.	5 9/16" Ø OD x 0.258"	18"	7' - 0" or 10' - 6"	
P5-24G	Galv.	5 9/16" Ø OD x 0.258"	24"	7' - 0" or 10' - 6"	
P6-12G	Galv.	6 5/8" Ø OD X 0.280"	12"	7' - 0" or 10' - 6"	
P6-16G	Galv.	6 5/8" Ø OD X 0.280"	16"	7' - 0" or 10' - 6"	
P6-18G	Galv.	6 5/8" Ø OD X 0.280"	18"	7' - 0" or 10' - 6"	
P6-24G	Galv.	6 5/8" Ø OD X 0.280"	24"	7' - 0" or 10' - 6"	

G or Galv. : Hot Dipped Galvanized

HD = Heavy Duty

NOTE: Other types of assembly available

Double and triple helix systems



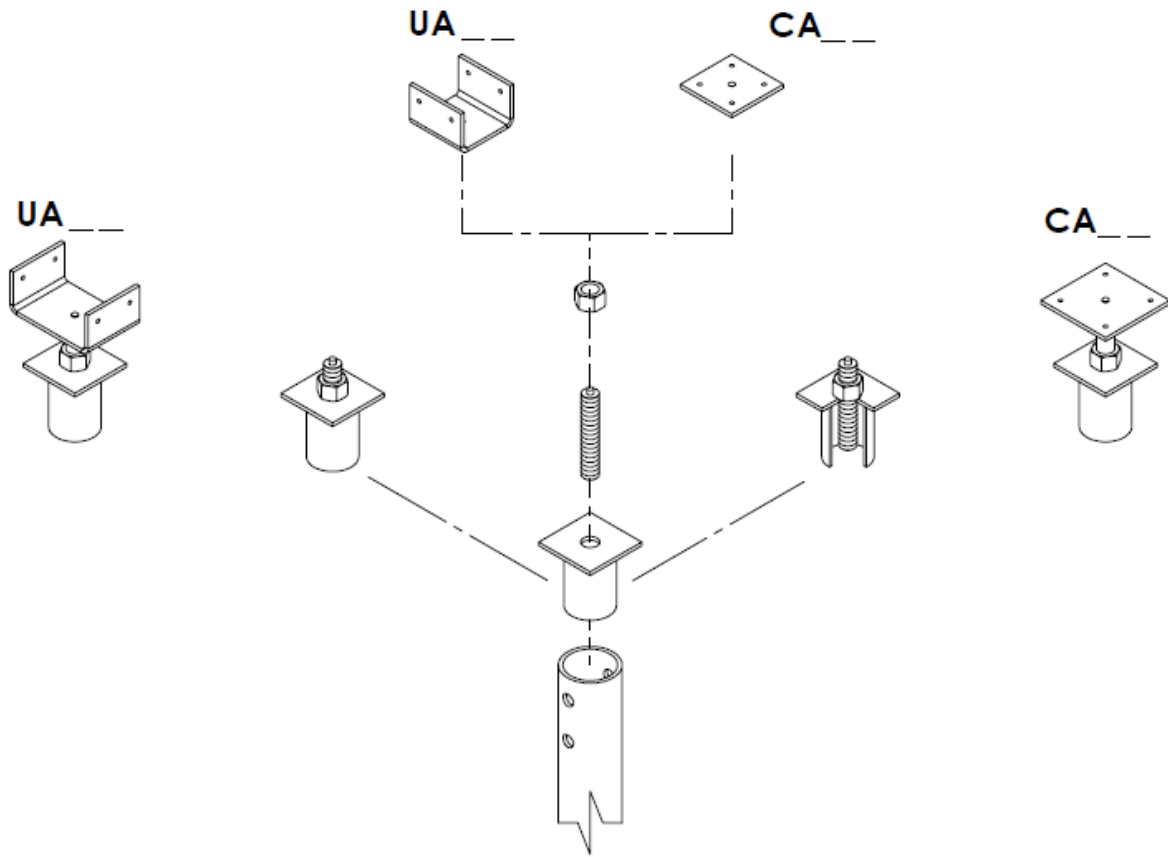


TECHNO METAL POST DOUBLE AND TRIPLE HELIX SYSTEMS

General Name : P3-81012-N or G

The different types of assembly will be determined by the Techno Metal Post Engineers.

Adjustable head system – complete

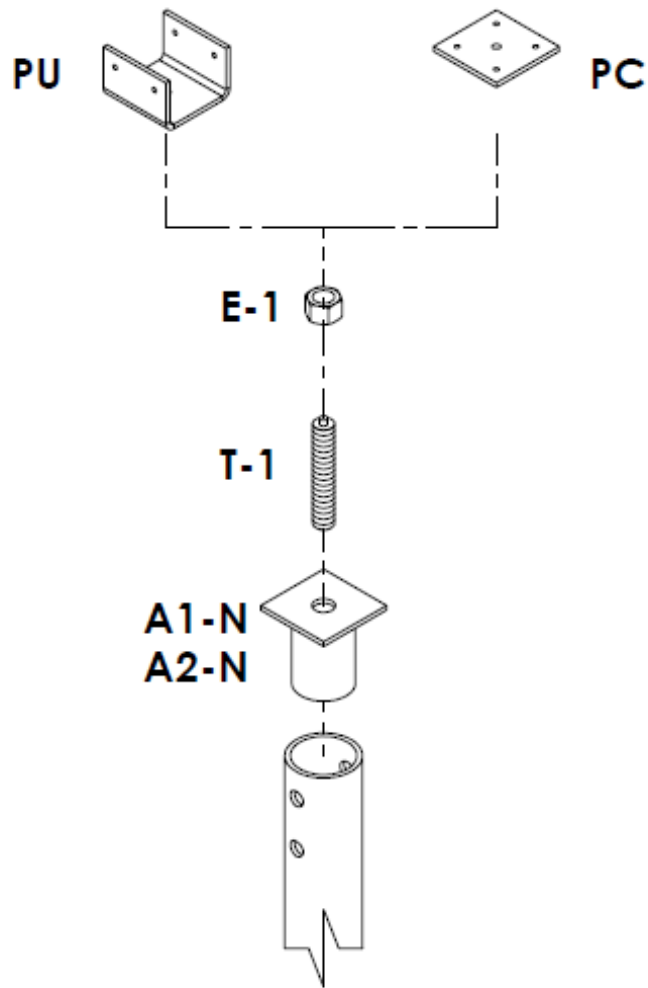


ADJUSTABLE HEAD SYSTEM - COMPLETE				
Part no.	Steel	Plate Dimensions	Adapter dimensions	Qty
ADJUSTABLE SYSTEM WITH SQUARE PLATE				
CA1-4N	Black	4" x 4" x 1/4"	1 1/2" Ø OD x 0.140"	
CA1-5N	Black	5" x 5" x 1/4"	1 1/2" Ø OD x 0.140"	
CA2-4N	Black	4" x 4" x 1/4"	1 7/8" OD x 0.145"	
CA2-5N	Black	5" x 5" x 1/4"	1 7/8" OD x 0.145"	
CA3-4N	Black	4" x 4" x 1/4"	2 7/8" Ø OD x 0.203"	
CA3-5N	Black	5" x 5" x 1/4"	2 7/8" Ø OD x 0.203"	
CA1-4G	Galv.	4" x 4" x 1/4"	1 1/2" Ø OD x 0.140"	
CA1-5G	Galv.	5" x 5" x 1/4"	1 1/2" Ø OD x 0.140"	
CA2-4G	Galv.	4" x 4" x 1/4"	1 7/8" OD x 0.145"	
CA2-5G	Galv.	5" x 5" x 1/4"	1 7/8" OD x 0.145"	
CA3-4G	Galv.	4" x 4" x 1/4"	2 7/8" Ø OD x 0.203"	
CA3-5G	Galv.	5" x 5" x 1/4"	2 7/8" Ø OD x 0.203"	
ADJUSTABLE SYSTEM WITH "U" PLATE				
UA1-4N	Black	3 1/2" x 4" x 2 3/4" x 1/4"	1 1/2" Ø OD x 0.140"	
UA1-5N	Black	5 1/2" x 4" x 2 3/4" x 1/4"	1 1/2" Ø OD x 0.140"	
UA2-4N	Black	3 1/2" x 4" x 2 3/4" x 1/4"	1 7/8" OD x 0.145"	
UA2-5N	Black	5 1/2" x 4" x 2 3/4" x 1/4"	1 7/8" OD x 0.145"	
UA1-4G	Galv.	3 1/2" x 4" x 2 3/4" x 1/4"	1 1/2" Ø OD x 0.140"	
UA1-5G	Galv.	5 1/2" x 4" x 2 3/4" x 1/4"	1 1/2" Ø OD x 0.140"	
UA2-4G	Galv.	3 1/2" x 4" x 2 3/4" x 1/4"	1 7/8" OD x 0.145"	
UA2-5G	Galv.	5 1/2" x 4" x 2 3/4" x 1/4"	1 7/8" OD x 0.145"	

G or Galv. : Hot dipped Galvanized
 N : Black

NOTES : Support system can be attached to piles in the following ways : welded, bolted or self tapping screws.
 Support system can be manufactured to other design.

Adjustable support system – detailed



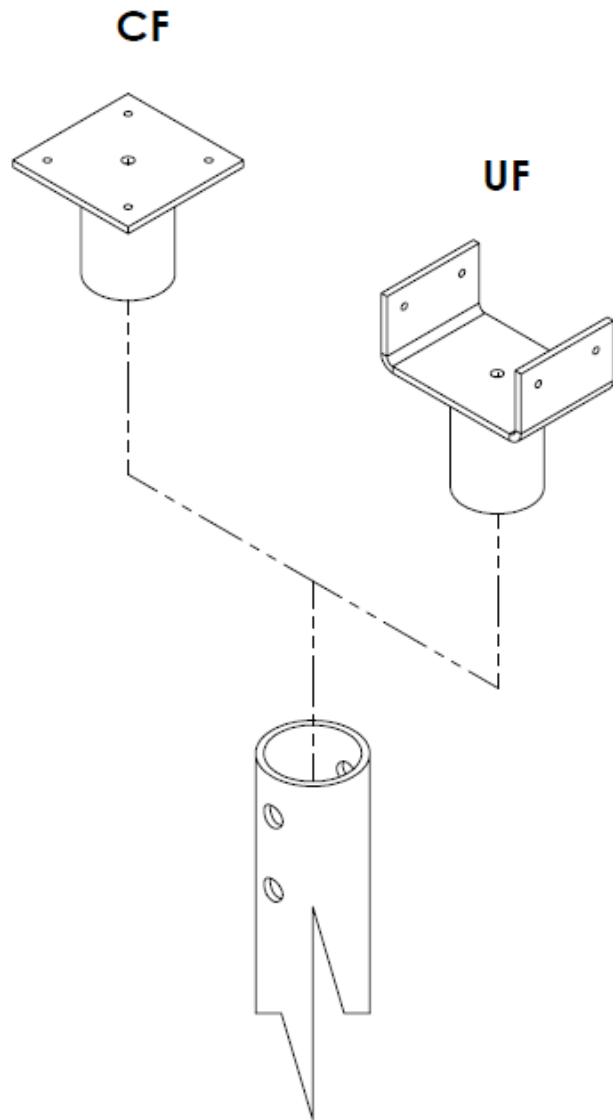
ADJUSTABLE SUPPORT SYSTEM - DETAILED			
Part no.	Steel	Dimensions	Qty
FLATE PLATE			
PC-4N	Black	4" x 4" x 1/4"	
PC-5N	Black	5" x 5" x 1/4"	
PC-4G	Galv.	4" x 4" x 1/4"	
PC-5G	Galv.	5" x 5" x 1/4"	
U – PLATE			
PU-4N	Black	3 1/2" x 4" x 2 3/4" x 1/4"	
PU-5N	Black	5 1/2" x 4" x 2 3/4" x 1/4"	
PU-4G	Galv.	3 1/2" x 4" x 2 3/4" x 1/4"	
PU-5G	Galv.	5 1/2" x 4" x 2 3/4" x 1/4"	
ADAPTER			
A1-N	Black	1 1/2" Ø O.D. x 0.140"	
A2-N	Black	1 7/8" Ø O.D. x 0.145"	
A3-N	Black	2 7/8" Ø O.D. x 0.203"	
A1-G	Galv.	1 1/2" Ø O.D. x 0.140"	
A2-G	Galv.	1 7/8" Ø O.D. x 0.145"	
A3-G	Galv.	2 7/8" Ø O.D. x 0.203"	
THREADED ROD			
T-1	zinc plated	Threaded rod 1" NC	
HEXAGOANAL NUT			
E-1	zinc plated	Nut hex 1" NC	

G or Galv. : Hot dipped Galvanized
 N : Black

NOTES : Support system can be attached to piles in the following ways : welded, bolted or self tapping screws.
 Support system can be manufactured to other design.

techno **Metal Post**™

Support fixtures



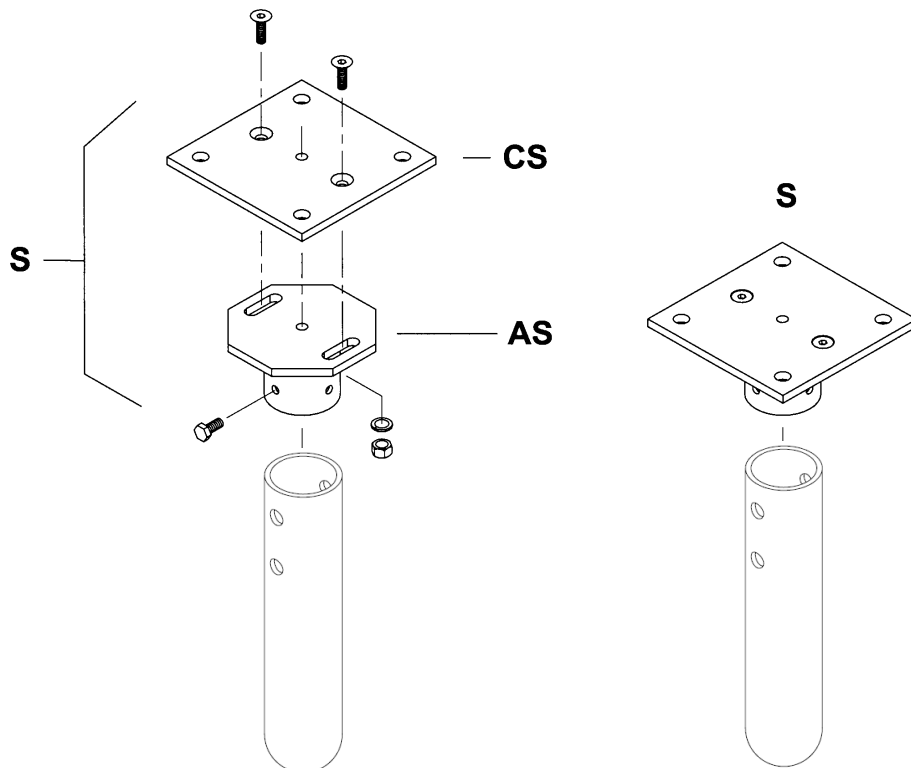
Support Fixtures				
Part no.	Steel	Plate dimensions	Adapter dimensions	Qty.
SUPPORT SYSTEM WITH FLATE PLATE				
CF1-4N	Black	4" x 4" x 1/4"	1 1/2" Ø OD x 0.140"	
CF1-5N	Black	5" x 5" x 1/4"	1 1/2" Ø OD x 0.140"	
CF2-4N	Black	4" x 4" x 1/4"	1 7/8" Ø OD x 0.145"	
CF2-5N	Black	5" x 5" x 1/4"	1 7/8" Ø OD x 0.145"	
CF3-4N	Black	4" x 4" x 1/4"	2 7/8" Ø OD x 0.203"	
CF3-5N	Black	5" x 5" x 1/4"	2 7/8" Ø OD x 0.203"	
CF3-6N	Black	6" x 6" x 3/8"	2 7/8" Ø OD x 0.203"	
CF1-4G	Galv.	4" x 4" x 1/4"	1 1/2" Ø OD x 0.140"	
CF1-5G	Galv.	5" x 5" x 1/4"	1 1/2" Ø OD x 0.140"	
CF2-4G	Galv.	4" x 4" x 1/4"	1 7/8" Ø OD x 0.145"	
CF2-5G	Galv.	5" x 5" x 1/4"	1 7/8" Ø OD x 0.145"	
CF3-4G	Galv.	4" x 4" x 1/4"	2 7/8" Ø OD x 0.203"	
CF3-5G	Galv.	5" x 5" x 1/4"	2 7/8" Ø OD x 0.203"	
CF3-6G	Galv.	6" x 6" x 3/8"	2 7/8" Ø OD x 0.203"	
SUPPORT SYSTEM WITH U - PLATE				
UF1-4N	Black	3 1/2" x 4" x 2 3/4" x 1/4"	1 1/2" Ø OD x 0.140"	
UF1-5N	Black	5 1/2" x 4" x 2 3/4" x 1/4"	1 1/2" Ø OD x 0.140"	
UF2-4N	Black	3 1/2" x 4" x 2 3/4" x 1/4"	1 7/8" Ø OD x 0.145"	
UF2-5N	Black	5 1/2" x 4" x 2 3/4" x 1/4"	1 7/8" Ø OD x 0.145"	
UF1-4G	Galv.	3 1/2" x 4" x 2 3/4" x 1/4"	1 1/2" Ø OD x 0.140"	
UF1-5G	Galv.	5 1/2" x 4" x 2 3/4" x 1/4"	1 1/2" Ø OD x 0.140"	
UF2-4G	Galv.	3 1/2" x 4" x 2 3/4" x 1/4"	1 7/8" Ø OD x 0.145"	
UF2-5G	Galv.	5 1/2" x 4" x 2 3/4" x 1/4"	1 7/8" Ø OD x 0.145"	

G or Galv. = Hot dipped Galvanised
 N = Black

NOTES : Support system can be attached to piles in the following ways : welded, bolted or self tapping screws.
 Support system can be manufactured to other design.

SPECIAL SUPPORT SYSTEM					
Part no.	Steel	Plate dimensions	Adapter dimensions	Assembly type	Qty
SPECIAL SQUARE PLATE – COMPLETE					
S4-N	Black	10" x 10" x 1/2"	4" Ø OD x 0.226"	Welded or Bolted	
S4-G	Galv.	10" x 10" x 1/2"	4" Ø OD x 0.226"	Welded or Bolted	
SPECIAL SQUARE PLATE – DETAILED					
SPECIAL PLATE					
CS-8N	Black	8" x 8" x 1/2" HEX	----	Welded or Bolted	
CS-10N	Black	10" x 10" x 1/2"	----	Welded or Bolted	
CS-10G	Galv.	10" x 10" x 1/2"	----	Welded or Bolted	
ADAPTER					
AS-N	Black	8" x 8" x 1/2" HEX	4" Ø OD x 0.226"	Welded or Bolted	
AS-G	Galv.	8" x 8" x 1/2" HEX	4" Ø OD x 0.226"	Welded or Bolted	

G or Galv. = Hot dipped galvanized
 N = Black

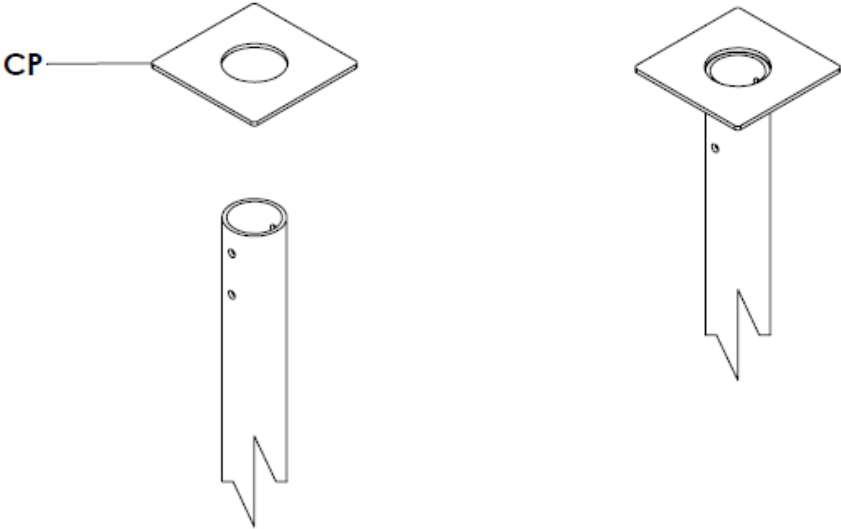


WELDED SUPPORT SYSTEM

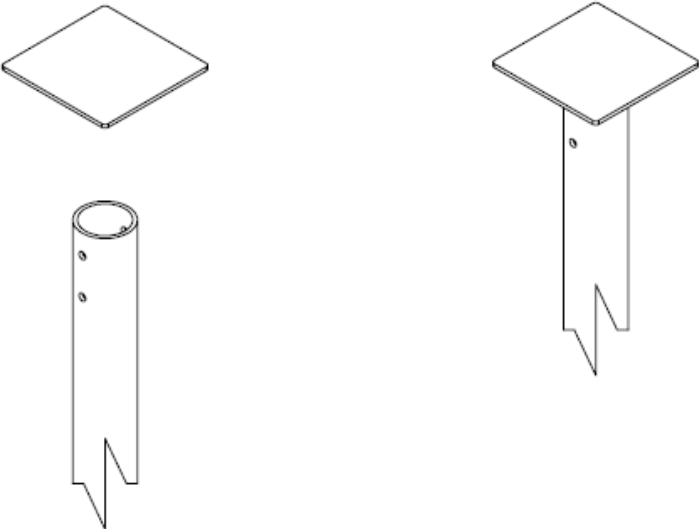
General Name : CP3-4-04-N or G

These plates are made to custom order

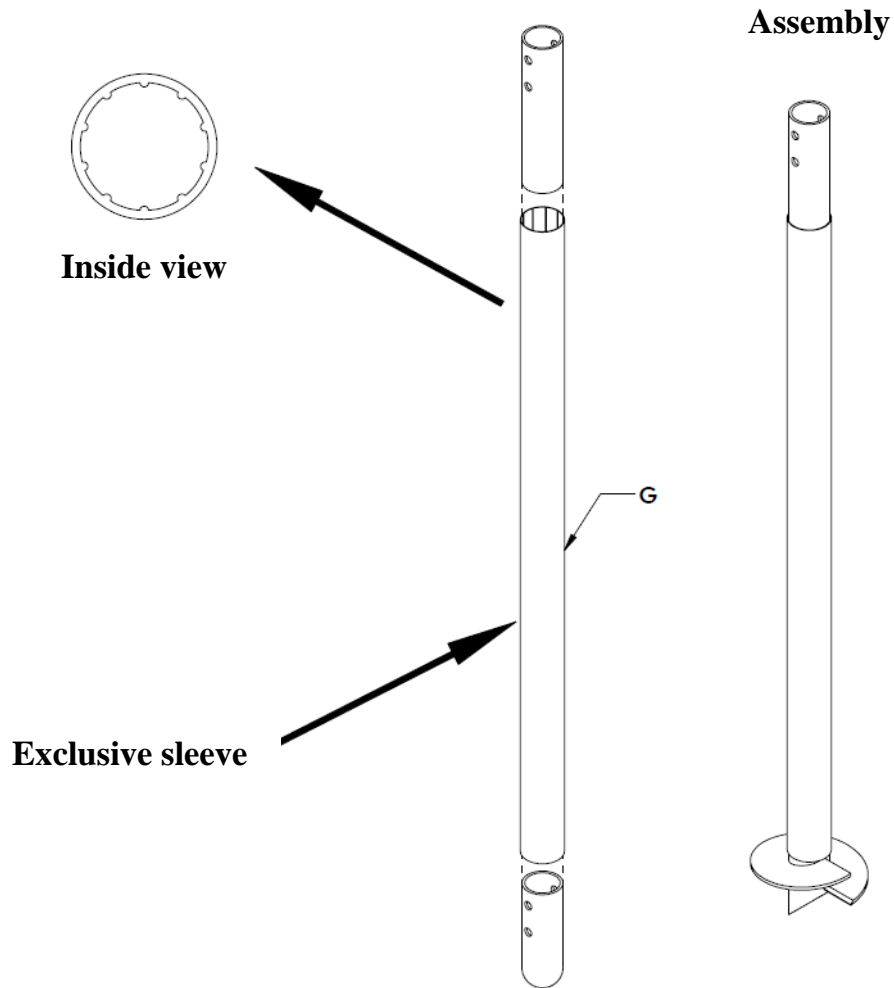
Drilled plate



No-Drilled plate

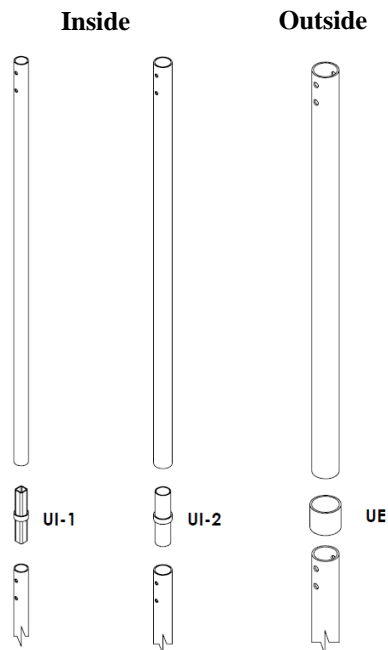


EXCLUSIVE SLEEVE		
Part no.	Dimension	Qty
G-1	2" \varnothing ID x 6' - 0"	PAQ. OF 25
G-2	2 1/2" \varnothing ID x 6' - 0"	PAQ. OF 25
G-3	3 5/8" \varnothing ID x 6' - 0"	PAQ. OF 10
G-4	4 1/8" \varnothing ID x 6' - 0"	PAQ. OF 5
G-5	5 11/16" \varnothing ID x 6' - 0"	PAQ. OF 4



Coupling				
Part no.	Steel	Dimension	Assembly type	Qty
Inside				
UI-1N	Black	1 1/4" x 1 1/4" x 0.125" x 3 1/2"	Welded, bolted or self tapping screws	
UI-2N	Black	1 7/8" Ø OD x 0.145" x 3 1/2"	Welded, bolted or self tapping screws	
UI-3N	Black	2 7/8" Ø OD x 0.203" x 3 1/2"	Welded, bolted or self tapping screws	
UI-4N	Black	3 1/2" Ø OD x 0.216" x 3 1/2"	Welded, bolted or self tapping screws	
UI-5N	Black	5" Ø OD x 0.250" x 3"	Welded, bolted or self tapping screws	
UI-6N	Black	6" Ø OD x 0.188" x 3"	Welded, bolted or self tapping screws	
Outside				
UE-1N	Black	2 3/8" Ø OD x 0.154" x 3 1/2"	Welded or Bolted	
UE-2N	Black	2 7/8" Ø OD x 0.203" x 3 1/2"	Welded or Bolted	
UE-3N	Black	4" Ø OD x 0.226" x 3 1/2"	Welded or Bolted	
UE-4N	Black	4 1/2" Ø OD x 0.237" x 3 1/2"	Welded or Bolted	
UE-5N	Black	6" Ø OD x 0.188" x 3"	Welded or Bolted	
UE-1G	Galv.	2 3/8" Ø OD x 0.154" x 3 1/2"	Welded or Bolted	
UE-2G	Galv.	2 7/8" Ø OD x 0.203" x 3 1/2"	Welded or Bolted	
UE-3G	Galv.	4" Ø OD x 0.226" x 3 1/2"	Welded or Bolted	
UE-4G	Galv.	4 1/2" Ø OD x 0.237" x 3 1/2"	Welded or Bolted	
UE-5G	Galv.	6" Ø OD x 0.188" x 3"	Welded or Bolted	

G or Galv. = Hot dipped galvanized
 N = Black



EXTENSION			
Part no.	Steel	Shaft dimension	Qty
R1N	Black	1 7/8" Ø OD x 0.145" x 7' - 0" or 10' - 6"	
R2N	Black	2 3/8" Ø OD x 0.154" x 7' - 0" or 10' - 6"	
R3N	Black	3 1/2" Ø OD x 0.216" x 7' - 0" or 10' - 6"	
R3N-HD	Black	3 1/2" Ø OD x 0.300" x 7' - 0" or 10' - 6"	
R4N	Black	4" Ø OD x 0.226" x 7' - 0" or 10' - 6"	
R4N-HD	Black	4" Ø OD x 0.313" x 7' - 0" or 10' - 6"	
R5N	Black	5 9/16" Ø OD x 0.258" x 7' - 0" or 10' - 6"	
R6N	Black	6 5/8" Ø OD x 0.280" x 7' - 0" or 10' - 6"	
R1G	Galv.	1 7/8" Ø OD x 0.145" x 7' - 0" or 10' - 6"	
R2G	Galv.	2 3/8" Ø OD x 0.154" x 7' - 0" or 10' - 6"	
R3G	Galv.	3 1/2" Ø OD x 0.216" x 7' - 0" or 10' - 6"	
R3G-HD	Galv.	3 1/2" Ø OD x 0.300" x 7' - 0" or 10' - 6"	
R4G	Galv.	4" Ø OD x 0.226" x 7' - 0" or 10' - 6"	
R4G-HD	Galv.	4" Ø OD x 0.313" x 7' - 0" or 10' - 6"	
R5G	Galv.	5 9/16" Ø OD x 0.258" x 7' - 0" or 10' - 6"	
R6G	Galv.	6 5/8" Ø OD x 0.280" x 7' - 0" or 10' - 6"	

G or Galv. = Hot dipped galvanized

N = Black

HD = High density

NOTE : Other length are available on request.

